



figure	<b>855</b>
ends form	flanged straight



## HYDRANT



body material	nominal pressure	nominal diameter	max. temperature
D nodular cast iron	C 16 bar	DN 80-100	50°C

Atest higieniczny PZH  
CNBOP  
CE

### FEATURES

- mating dimensions of the flange acc. to EN 1092-2.1999
- tag flange EN 1092-2
- outlet couplings 75T-2 pcs.-acc. to PN-91/M-51038
- powder polyester faproxyd coating or other acc. to customer's request
- coating thickness: 250µm..

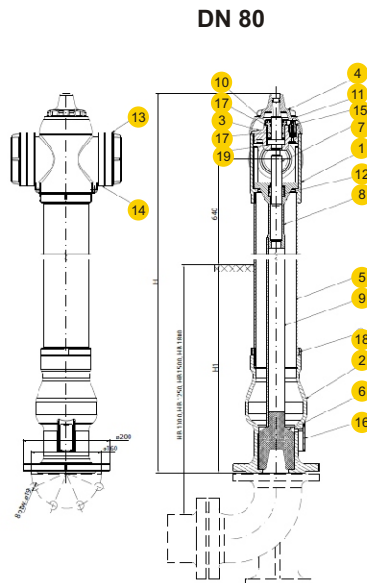
### APPLICATION

- instalation for water
- fire-fighting instalation



figure	<b>855</b>
ends form	flanged straight

## MATERIALS



	body material	D
1	head	EN- GJS-500-7
2	base fitting	EN- GJS-500-7
3	gland	EN- GJS-500-7
4	cover	EN- GJS-500-7
5	external pipe	carbon steel
6	rubbered obturator	EN- GJS-500-7/NBR
7	monolithic stem with symmetrical trapezoid thread	X20Cr13
8	stem nut holder	EN- GJS-500-7
9	internal pipe	galvanised carbon steel
10	threaded bush	CuZn39Pb2
11	protective cap	NBR
12	stem nut	CuZn39Pb2
13	nozzle cap	Ak11
14	water outlet nozzle	Ak11
15	aeration valve	CuZn39Pb2
16	drain hole cover	NBR
17	stem sealing	NBR
18	lock-nut	EN- GJS-500-7
19	sliding ring	CuZn39Pb2
	<b>max.temperature</b>	<b>50°C</b>

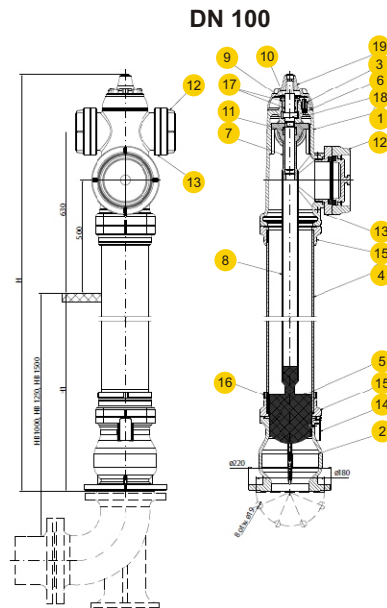
Data given can be changed without notice.

Edition 01/2011



figure	<b>855</b>
ends form	flanged straight

## MATERIALS



	body material	D
1	head	EN- GJS-500-7
2	base fitting	EN- GJS-500-7
3	cover	EN- GJS-500-7
4	external pipe	carbon steel
5	rubbered obturator	EN- GJS-500-7/NBR
6	monolithic stem with symmetrical trapezoid thread	X20Cr13
7	stem nut holder	EN- GJS-500-7
8	internal pipe	galvanised carbon steel
9	threaded bush	CuZn39Pb2
10	protective cap	NBR
11	stem nut	CuZn39Pb2
12	nozzle caps	Ak11
13	water outlet nozzle	Ak11
14	drain hole cover	NBR
15	flanges	EN- GJS-500-7
16	lock-nut	EN- GJS-500-7
17	stem sealing	NBR
18	sliding ring	CuZn39Pb2
19	aeration valve	CuZn39Pb2
	<b>max.temperature</b>	<b>50°C</b>

Data given can be changed without notice.

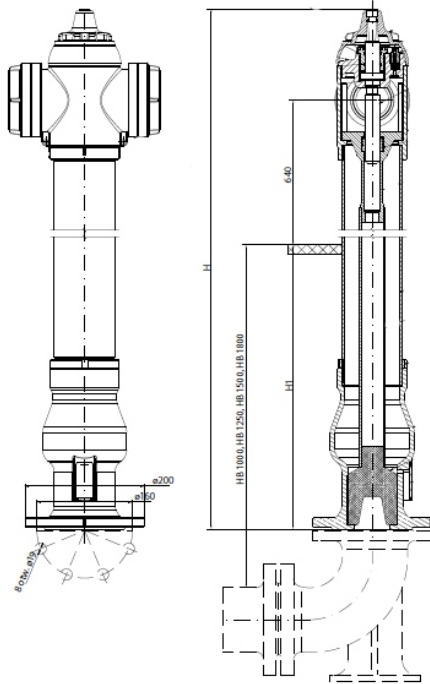
Edition 01/2011



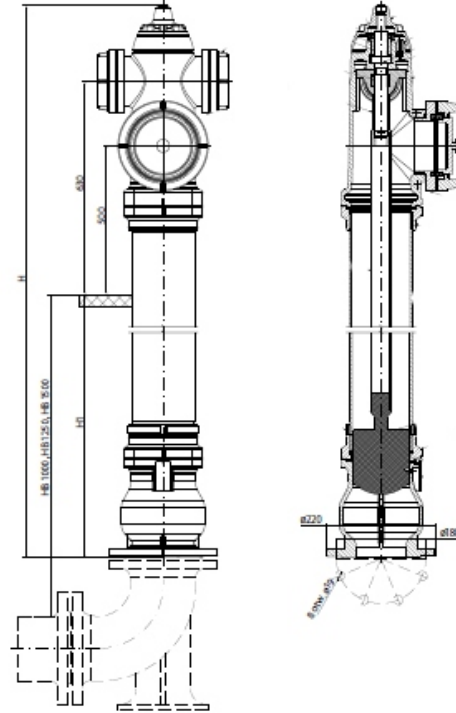
figure **855**  
ends form flanged straight

## DIMENSIONS

DN 80



DN 100



DN	Installation Depth HB	Height H	Height H1	
mm	mm			kg
80	1000	1660	870	38,3
80	1250	1910	1120	41,8
80	1500	2160	1370	45,6
80	1800	2460	1670	53
100	1000	1660	877	57,1
100	1250	1910	1127	61,2
100	1500	2160	1377	65,2

Data given can be changed without notice.

Edition 01/2011



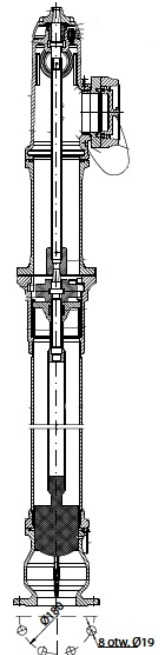
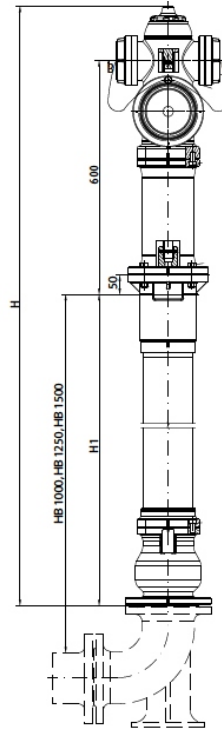
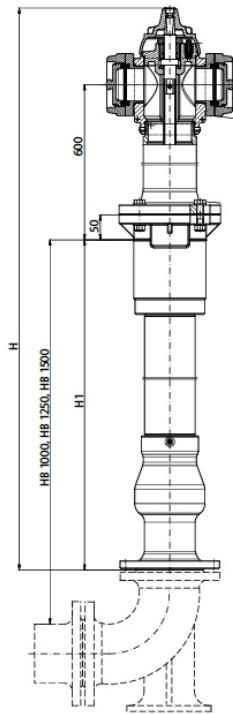
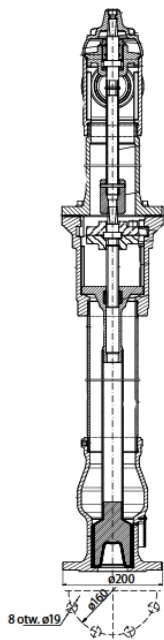
figure	<b>855</b>
ends form	flanged straight


## DIMENSIONS

### WITH BREAKING POINTS

DN 80

DN 100



DN	Installation Depth HB	Height H	Height H1	
mm	mm			kg
80	1000	1636	882	51,5
80	1250	1886	1132	55,1
80	1500	2136	1382	58,7
100	1000	1630	877	66,2
100	1250	1880	1127	71,0
100	1500	2130	1377	75,7

Data given can be changed without notice.

Edition 01/2011



figure	<b>855</b>
ends form	flanged straight

## TYPES

figure	body material	nominal diameter DN	nominal pressure PN	type
855	D nodular cast iron EN-GJS-500-7	80-100 mm	C 16bar	15 Tmax 50 °C • overground • automatic graining device • installation depth 1000 mm
				25 Tmax 50 °C • overground • automatic graining device • installation depth 1250 mm
				35 Tmax 50 °C • overground • automatic graining device • installation depth 1500 mm
				45 Tmax 50 °C • overground • automatic graining device • installation depth 1800 mm
				55 Tmax 50 °C • overground • with breaking point • installation depth 1000 mm
				65 Tmax 50 °C • overground • with breaking point • installation depth 1250 mm
				75 Tmax 50 °C • overground • with breaking point • installation depth 1500 mm

## ORDERING

To place an order please use our product number (index)



### ORDER EXAMPLE

	855	D	080	C	15
hydrant, ends flanged, form straight	855				
nodular cast iron EN-GJS-500-7		D			
nominal diameter DN80			080		
nominal pressure PN16				C	
overground automatic draining device installation depth 1000 mm					15