



figure	852
ends form	flanged straight



HYDRANT



body material	nominal pressure	nominal diameter	max. temperature
D nodular cast iron	C 16 bar	DN 80-100	50°C

Hygienic certificate PZH

FEATURES

- mating dimensions of the flange acc. to EN 1092-2.1999
- mating dimensions of the bayonet holder acc. to: DIN 3221, STAS 695-80
- powder polyester faproxid coating or other acc. to customer's request
- coating thickness: 250µm..

APPLICATION

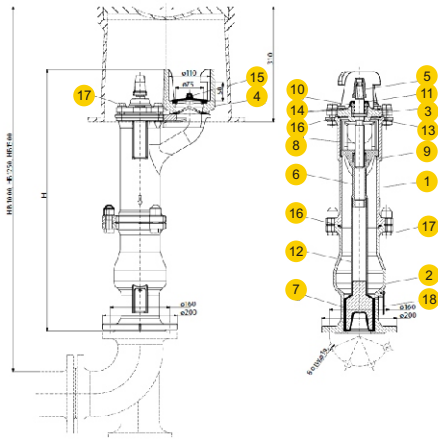
- instalation for water
- fire - fighting instalation



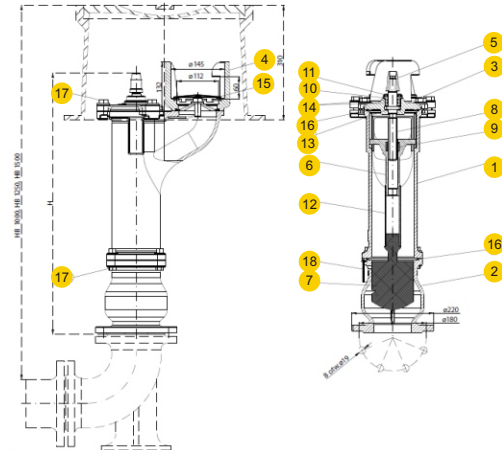
figure 852
ends form flanged
form straight

MATERIALS

DN 80



DN 100



	body material	D
1	body	EN- GJS-500-7
2	base fitting	EN- GJS-500-7
3	gland	EN- GJS-500-7
4	bayonet holder	EN- GJS-500-7
5	cap	EN- GJS-500-7
6	stem nut holder	EN- GJS-500-7
7	rubbered obturator	EN- GJS-500-7/NBR
8	monolithic stem with symmetrical trapezoid thread	X20Cr13
9	stem nut	CuZn39Pb2
10	threaded bush	CuZn39Pb2
11	protective cap	NBR
12	internal pipe	galvanised carbon steel
13	sliding ring	CuZn39Pb2
14	stem sealing	NBR
15	bayonet holder cover	NBR
16	seals among components	NBR
17	bolts	galvanised steel
18	drain hole cover	NBR
	max.temperature	50°C

Data given can be changed without notice.

Edition 01/2011

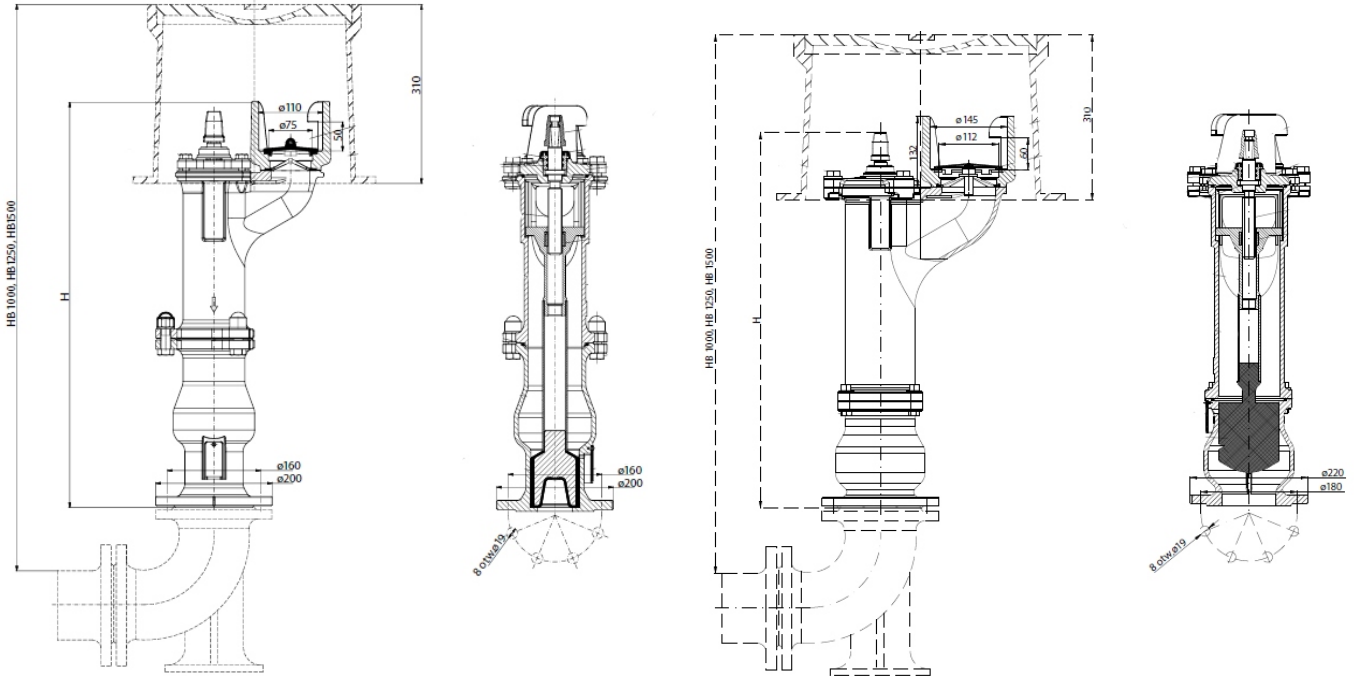



figure **852**
ends flanged
form straight

DIMENSIONS

DN 80

DN 100



DN	Installation Depth HB	Height H	
mm			kg
80	1000	700	30,7
80	1250	950	35,7
80	1500	1200	40,2
80	750	500	24
100	1000	732	40
100	1250	982	45
100	1500	1232	55

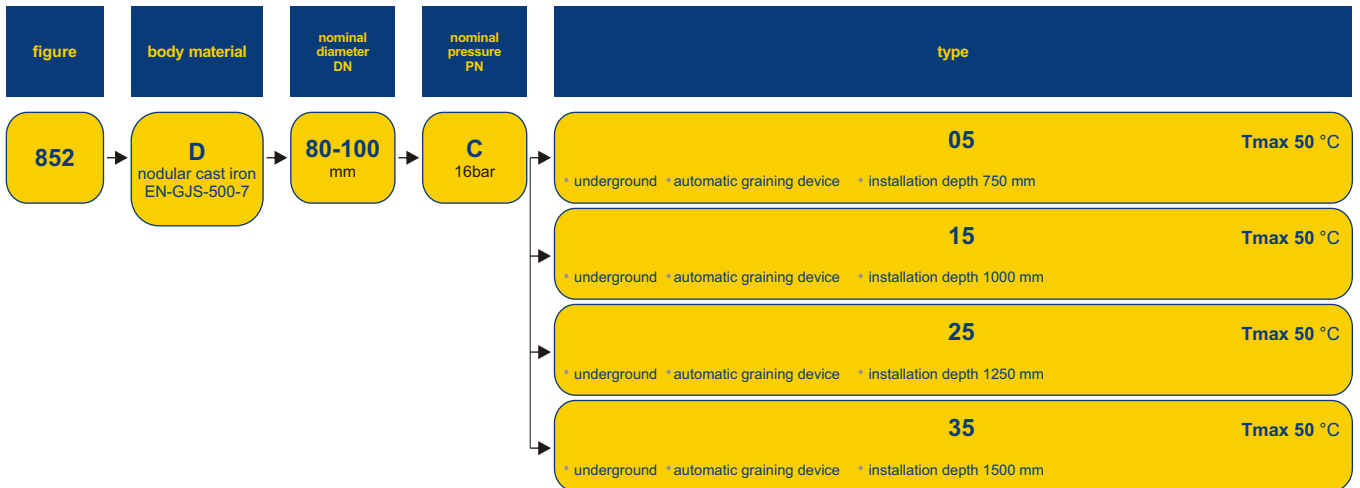
Data given can be changed without notice.

Edition 01/2011



figure	852
ends form	flanged straight

TYPES



ORDERING

To place an order please use our product number (index)



ORDER EXAMPLE

