



figure

497

ends
formwafer type
straight

BUTTERFLY VALVE



body material	nominal pressure	nominal diameter	max. temperature
A grey cast iron	C 16 bar	DN 32-150	110°C
	B 10 bar	DN 200-300	
B nodular cast iron	C 16 bar	DN 32-150	110°C
	B 10 bar	DN 200-300	

DN 400-1200 and other material version on client's request

FEATURES

- high tightness
- seat materials EPDM/NBR
- central disc bearing
- environment-friendly

APPLICATION

- cold and cooling water plants
- heating installations
- drinking and domestic water
- waste installations
- shipbuilding industry
- power installations

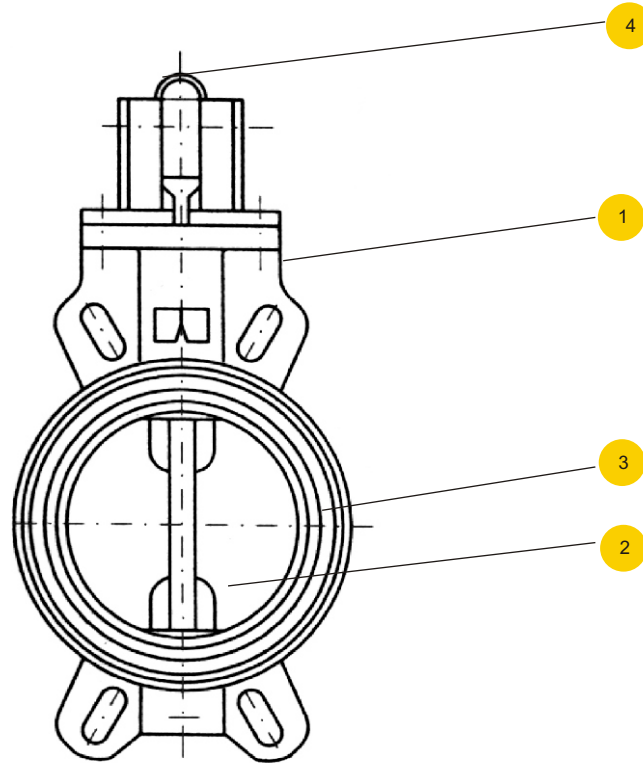
Data given can be changed without notice.

Edition 09/2011



figure	497
ends form	wafer type straight

MATERIALS



	body material	A	B	
	type	66	36	35
1	body	EN-GJL-250 JL 1040 + EPOXY	EN-GJS-400-15 JS 1030 + EPOXY	
2	disc	EN-GJS-400-15 JS 1030 + EPOXY	X6CrNiMoTi 17-12-2	
3	seat	EPDM	EPDM	NBR
4	stem	X20Cr13 1.4021		
	max. temperature	110°C	110°C	100°C

Data given can be changed without notice.

Edition 09/2011



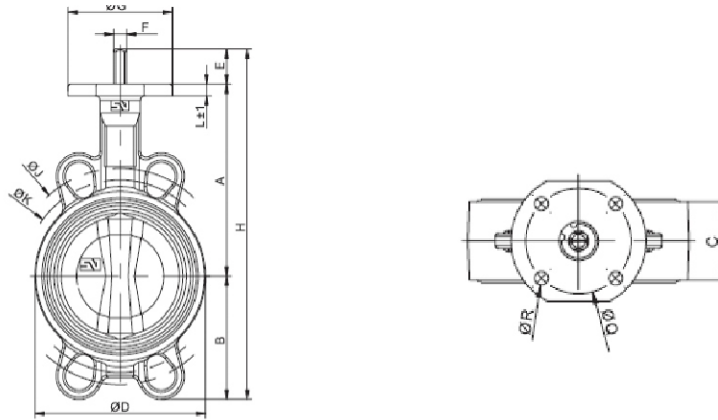
figure

497

ends
form

wafer type
straight

DIMENSIONS



DN		A	B	C	D	E	F	G	H	J	K	Q	R		ISO
mm	inch	mm											kg		
32	1 1/4"	102,5	60,2	33	68	30	11	90	192,7	100	85	70	4x9	1,5	F-07
40	1 1/2"	110	56	33	76	30	11	90	196	110	95	70	4x9	1,7	F-07
50	2"	120	61,5	43	100	30	11	90	211,5	123	120,6	70	4x9	2	F-07
65	2 1/2"	135	69	46	108	30	11	90	234	145	127	70	4x9	2,6	F-07
80	3"	141	94	46	124	30	11	90	265	160	145	70	4x9	3,1	F-07
100	4"	165	106	52	147	30	11	90	301	185,5	165	70	4x9	3,9	F-07
125	5"	180	126,5	56	180	33	14	90	339,5	225	206	70	4x9	6,1	F-07
150	6"	193	133	56	206	33	14	90	359	241,3	229	70	4x9	7,2	F-07
200	8"	225	170	60	257	33	17	90	428	305	280	70	4x9	11	F-07
250	10"	282,5	210	68	324	23	22	130	515,5	362	335	102	4x12	20,5	F-10
300	12"	308	240	78	376	23	22	130	571	431,8	394	102	4x12	29,5	F-10
350	14"	338,5	263	78	430	31	22	160	632,5	476,3	445	102	4x12	35,4	F-10
400	16"	380	308	102	485	31	27	160	719	540	510	125	4x12	54,6	F-12
450	18"	380,5	340	114	536	38	36	190	758,5			140	4x14	80,8	F-14
500	20"	432,5	380	127	593	38	36	210	850,5			140	4x18	113,3	F-14
600	24"	494	440	154	690	80	60	210	1014			165	4x22	170,5	F-16
700	28"	590	490	165	830	106	65	300	1186			254	8x18	290,9	F-25
800	32"	630	565	190	902	106	80	300	1301			254	8x18	363,3	F-25
900	36"	695	610	78	1010	110	80	350	1415			254	8x18	497	F-25
1000	40"	770	675	78	1116	110	80	350	1555			254	8x18	598,5	F-25
1200	48"	875	818	78	1334	120	100	350	1813			298	8x23	931,5	F-30

Data given can be changed without notice.

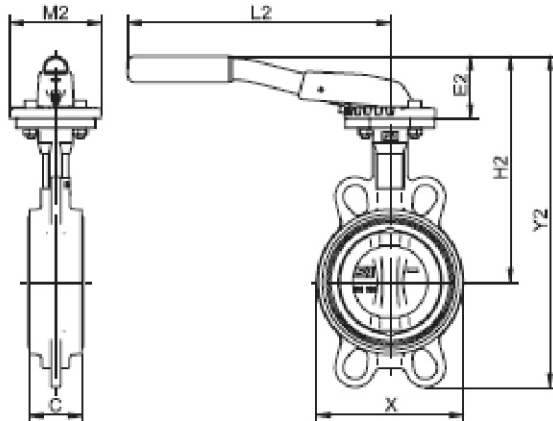
Edition 09/2011



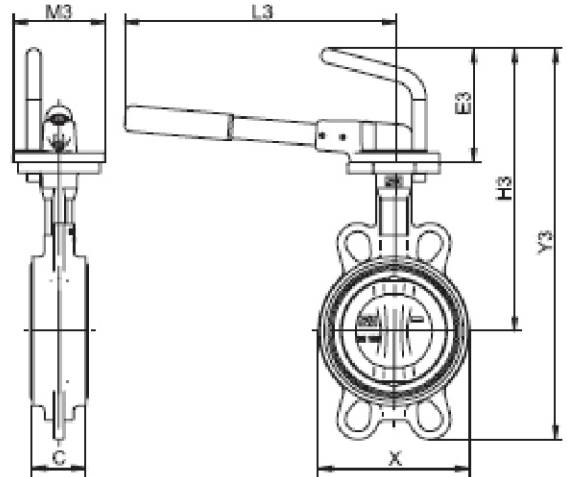
figure 497
 ends form wafer type
 form straight

DIMENSIONS

notch lever DN 32-200



lock lever DN 250-300



DN	C	X	E2	H2	Y2	L2	M2	
mm								kg
32	33	68	49	151	212	220	90	1,9
40	33	76	49	159	215	220	90	2,1
50	43	100	49	169	230	220	90	2,9
65	46	108	49	184	253	220	90	3,0
80	46	124	60	201	295	260	90	3,6
100	52	147	60	225	331	260	90	4,4
125	56	180	75	225	381	315	90	6,6
150	56	206	75	268	401	315	90	7,6
200	60	257	75	300	470	315	90	11,4
250	68	324	-	-	-	-	-	-
300	78	367	-	-	-	-	-	-

DN	E3	H3	Y3	L3	M3	
mm						kg
250	120	402	612	500	130	22,5
300	120	428	668	500	130	32,7

Data given can be changed without notice.

Edition 09/2011



figure 497
ends form wafer type straight

TYPES

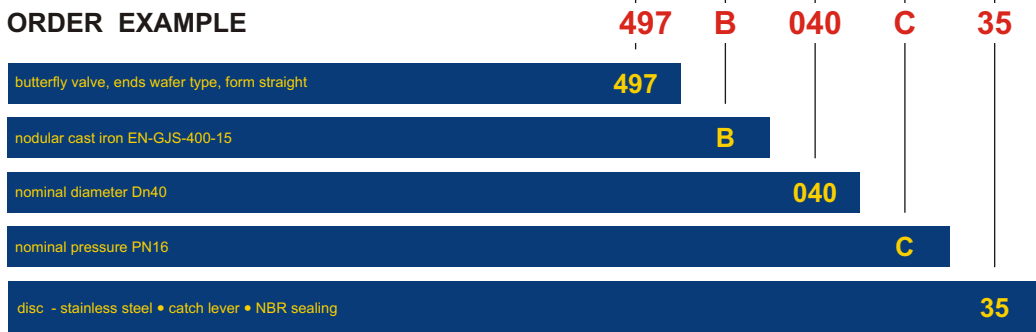
figure	body material	nominal diameter DN	nominal pressure PN	type
497	A grey cast iron EN-GJL-250	32-150 mm	C 16bar	66 Tmax 110 °C * disc - ductile iron covered by epoxy layer * catch lever * EPDM sealing
		200-300 mm	B 10bar	66 Tmax 110 °C * disc - ductile iron covered by epoxy layer * catch lever * EPDM sealing
	B nodular cast iron EN-GJS-400-15	32-150 mm	C 16bar	36 Tmax 110 °C * disc - stainless steel * catch lever * EPDM sealing
		200-300 mm	B 10bar	36 Tmax 110 °C * disc - stainless steel * catch lever * EPDM sealing
		32-150 mm	C 16bar	35 Tmax 100 °C * disc - stainless steel * catch lever * NBR sealing
		200-300 mm	B 10bar	35 Tmax 100 °C * disc - stainless steel * catch lever * NBR sealing

ORDERING

To place an order please use our product number (index)



ORDER EXAMPLE





figure

497

ends
formwafer type
straight

BUTTERFLY VALVE



body material	nominal pressure	nominal diameter	max. temperature
B nodular cast iron	C 16 bar	DN 25-600	120°C

FEATURES

- high tightness
- seat materials EPDM/NBR
- central disc bearing
- Environment-friendly
- GEARBOX
- mechanical strength 10 000 cycle on/off
- aluminium or cast iron housing
- end stops for on/off
- position indicator

APPLICATION

- cold and cooling water plants
- heating installations
- drinking and domestic water
- waste installations
- shipbuilding industry
- power installations

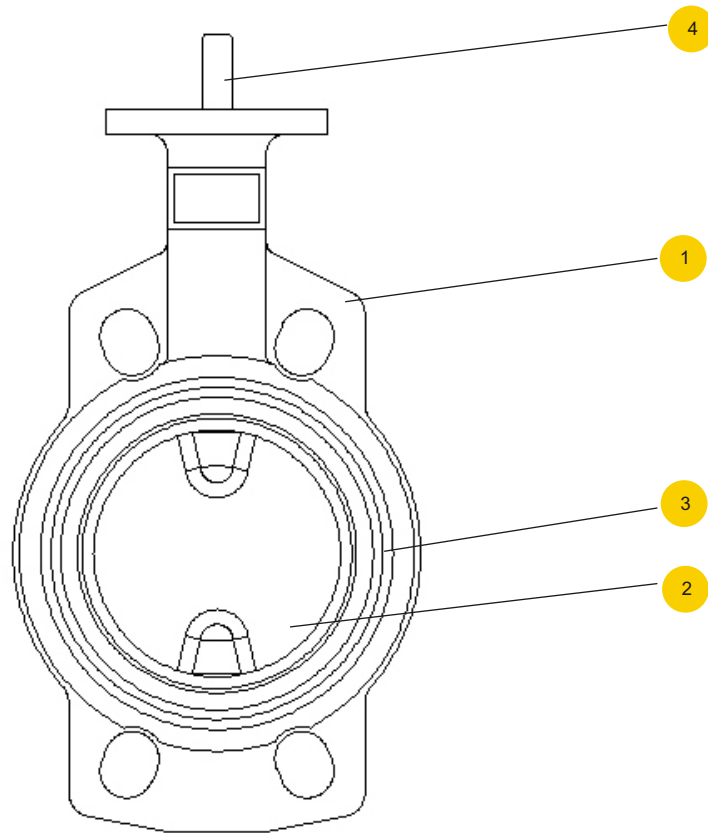
Data given can be changed without notice.

Edition 09/2011



figure	497
ends form	wafer type straight

MATERIALS



body material		B	
type		67	68
1	body	EN-GJS-400-15 JL 1030 + EPOXY	
2	disc	EN-GJS-400-15 covered by nikel	AISI 304
3	seat	EPDM	
4	stem	AISI 416	
max. temperature		120°C	

Data given can be changed without notice.

Edition 09/2011



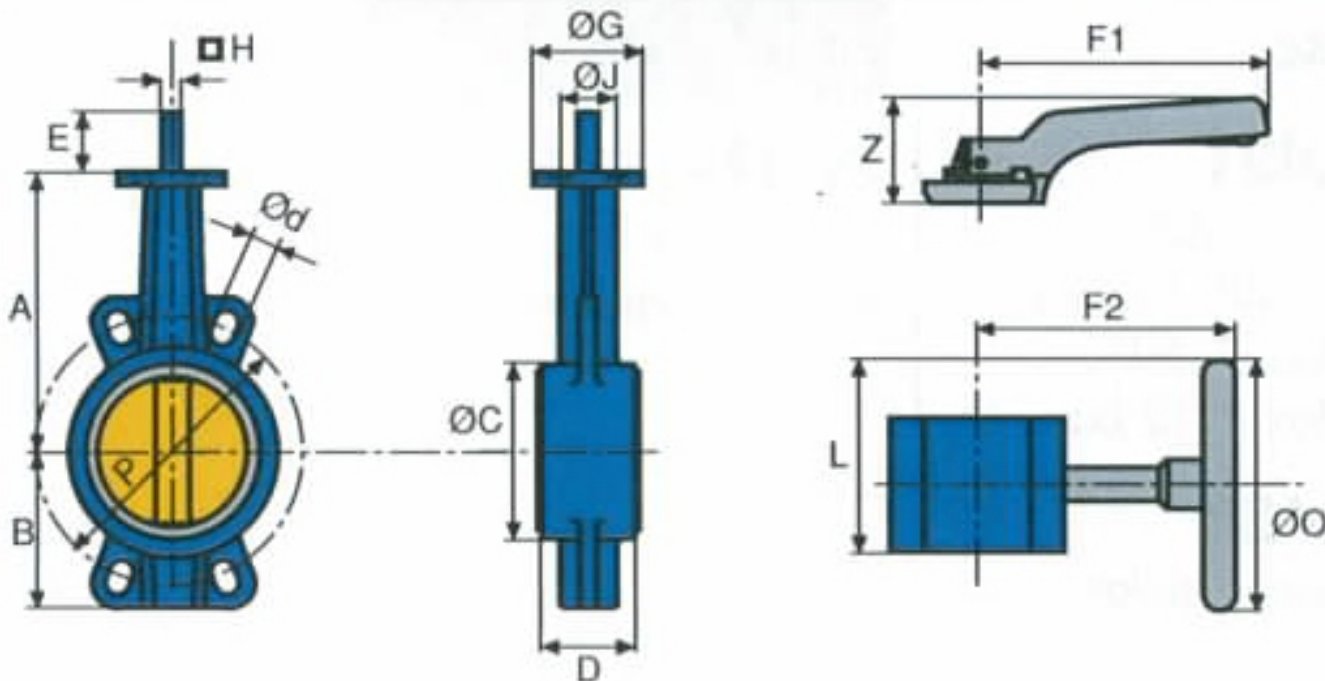
figure

497

ends
form

wafer type
straight

DIMENSIONS



DN		A	B	C	D	F1	Z	F2	L	O	d	P	J	G	E	H	
mm	inch	mm															kg
25	1 1/4"	121	53	65	33	200	68	157	116	150	14	85	50	65	32	7	1,75
32	1 1/4"	121	57	73	33	200	68	157	116	150	18	100	50	65	32	7	1,70
40	1 1/2"	130	61	82	33	200	68	157	116	150	18	110	50	65	32	9	2,00
50	2"	136	77	95	43	200	68	157	116	150	18	125	50	65	32	9	2,50
65	2 1/2"	142	87,5	109	46	200	68	157	116	150	18	145	50	65	32	9	3,10
80	3"	158	95	127	46	200	68	157	116	150	18	160	50	65	32	9	3,85
100	4"	180	107	152	52	200	68	157	116	150	18	180	50	65	32	11	4,75
125	5"	192	121	180	56	277	77	157	116	150	18	210	70	90	42	14	6,35
150	6"	215	144	207	56	277	77	157	116	250	22	240	70	90	42	14	8,50
200	8"	241	171	260	60	358	50	245	192	300	22	295	102	125	32	17	13,00
250	10"	280	205	320	68	504	47	230	190	300	26	355	125	150	32	22	29,75
300	12"	310	235	375	78	504	47	230	190	300	26	410	125	150	32	27	45,30
350	14"	337	258	416	78	-	-	230	190	300	26	470	125	150	48	27	54,50
400	16"	357	303	466	102	-	-	233	208	300	30	525	125	150	48	27	89,85

Data given can be changed without notice.

Edition 09/2011



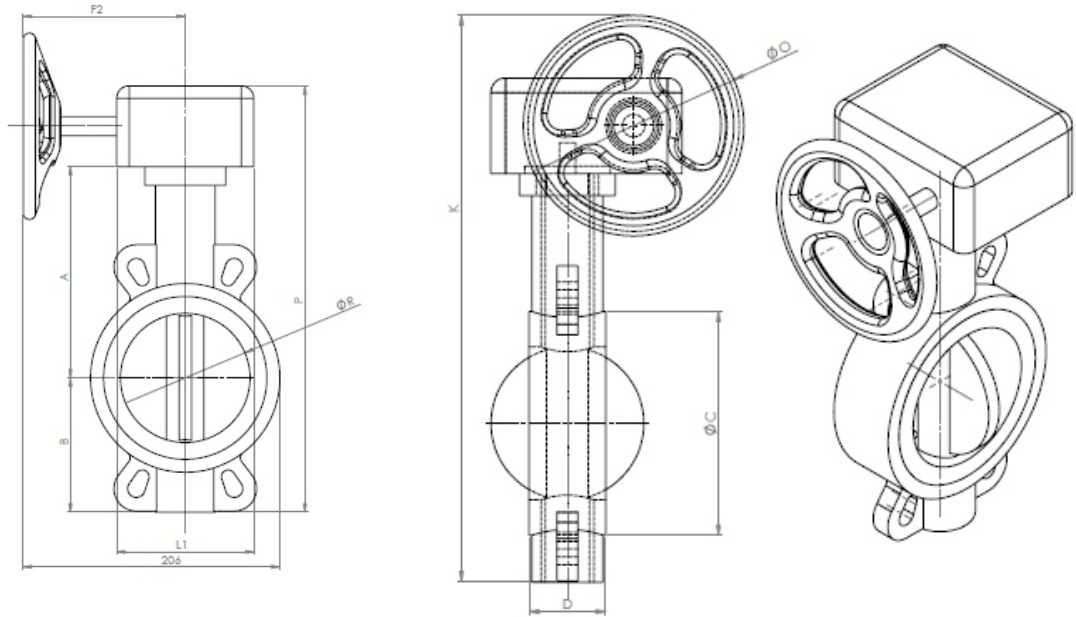
figure

497

ends
form

wafer type
straight

DIMENSIONS



DN		A	B	L1	P	F2	K	D	C	O	
mm	inch	mm									kg
25	1 1/4"	121	53	110	239	130	276,5	33	65	140	2,68
32	1 1/4"	121	57	100	243	130	280,5	33	73	140	2,68
40	1 1/2"	130	61	110	256	130	293,5	33	82	140	2,93
50	2"	136	77	110	278	130	315,5	43	95	140	3,61
65	2 1/2"	142	87,5	110	294,5	130	332,0	46	109	140	4,38
80	3"	158	96	110	319	130	356,5	46	127	140	4,96
100	4"	180	107	110	352	130	389,5	52	152	140	5,76
125	5"	192	121	110	378	130	415,5	56	180	140	8,27
150	6"	215	144	110	424	130	461,5	56	207	140	9,13
200	8"	241	171	155	500	176	606,0	60	260	300	16,57
250	10"	280	205	160	573	200	679,0	68	320	300	25,42
300	12"	310	235	160	633	200	739,0	78	375	300	32,87
350	10"	355	257	160	680	200	786,0	78	406	300	49,92
400	12"	360	292	160	740	200	846,0	86,5	471	300	77,06

Data given can be changed without notice.

Edition 09/2011



figure	497
ends form	wafer type straight

TYPES

figure	body material	nominal diameter DN	nominal pressure PN	type
497	B nodular cast iron EN-GJS-400-15	25-300 mm	C 16bar	67 • disc - ductile iron covered by nikel • catch lever • EPDM sealing Tmax 120 °C
		25-300 mm	c 16bar	68 • disc - AISI 304 • catch lever • EPDM sealing Tmax 120 °C
		100-400 mm	C 16bar	D6 • disc - ductile iron covered by nikel • gear box • EPDM sealing Tmax 120 °C
		100-400 mm	c 16bar	A6 • disc - AISI 304 • gear box • EPDM sealing Tmax 120 °C

ORDERING

To place an order please use our product number (index)



ORDER EXAMPLE

