



figure **443**

ends form flange Y-type

 **BALANCING VALVE**

body material	nominal pressure	nominal diameter	max. temperature
A grey cast iron	C 16 bar	DN 40-300	300°C



correspond to the pressure equipment directive 97/23/EC

FEATURES

- high tightness (leakproofness class - A acc. EN -12266 - 1)
- compact settlement
- environment-friendly
- tests acc. EN - 12266 - 1
- flanges drilled according to EN 1092-2
- face-to-face dimension according to EN 558-1 series 1

APPLICATION

- industrial cold and hot water plants
- heat engineering
- industrial technologies
- refrigeration and air conditioning
- steam plants

Data given can be changed without notice.

Edition 01/2011



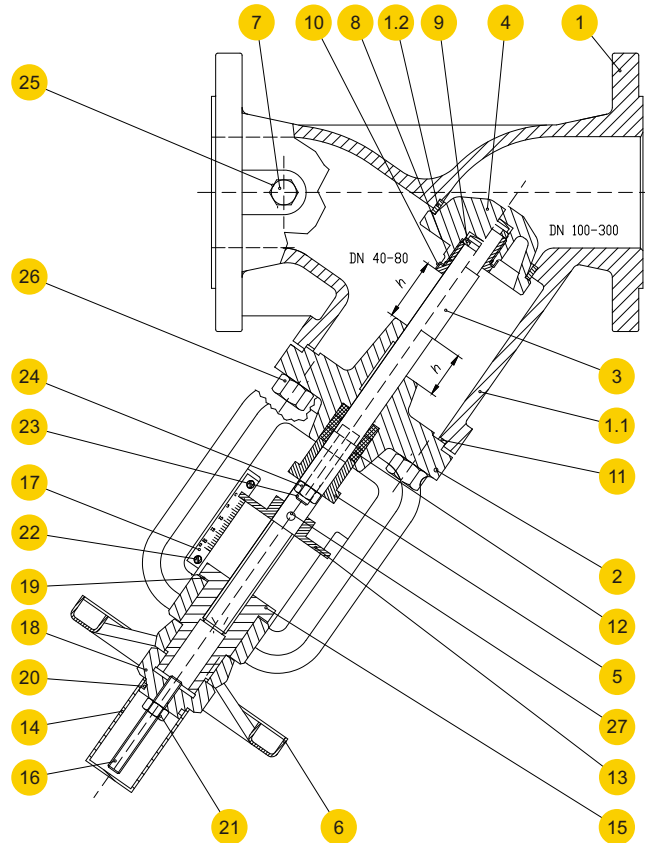
figure

443

ends
form

flange
Y-type

MATERIALS





figure

443

ends
formflange
Y-type

MATERIALS

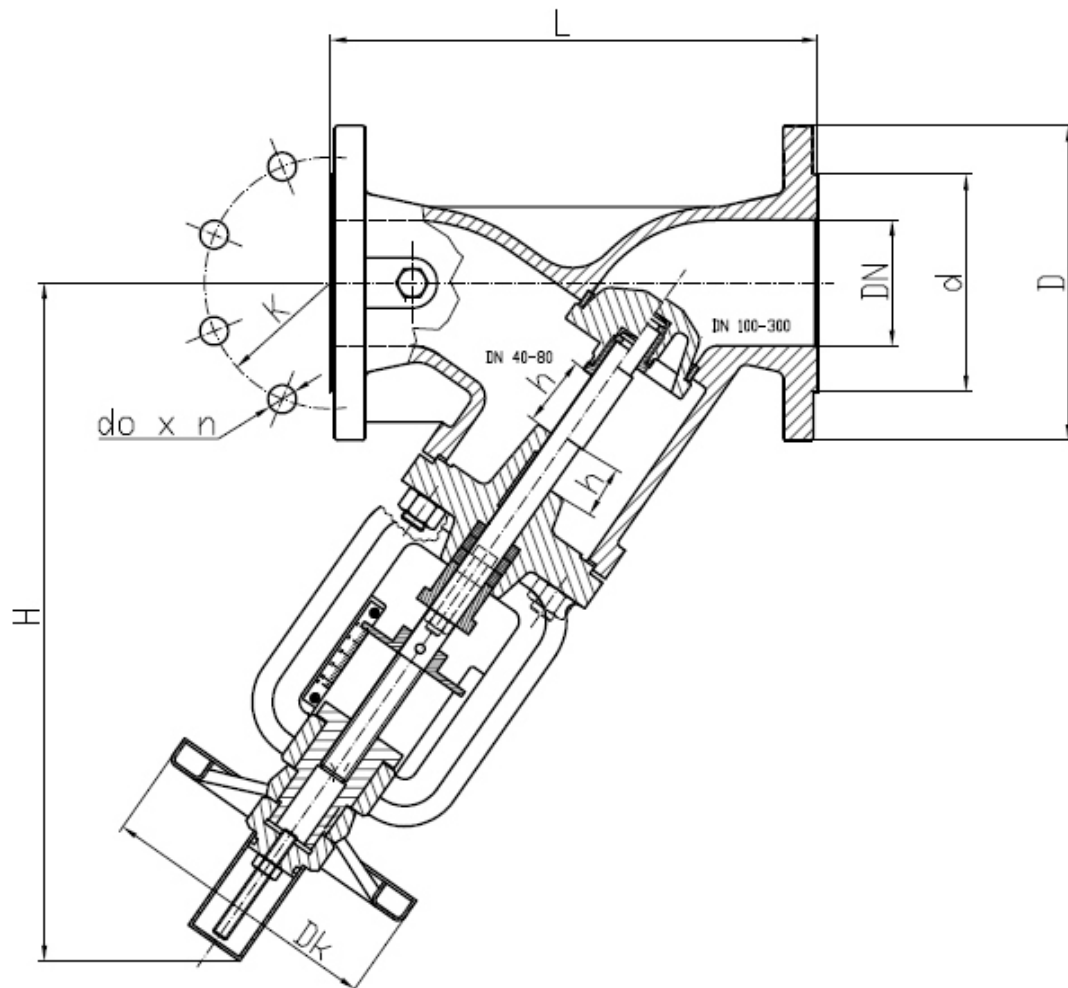
body material		A
type		71
1.1	body	EN-GJL-250 JL 1040
1.2	seat ring	X12Cr13 1.400 6
2	bonnet	EN-GJL-250 JL 1040
3	stem	X20Cr13 1.4021
4	disc	X20Cr13 1.4021
5	gland	EN-GJL-250 JL 1040
6	hand-wheel	carbon steel epoxy coated
7	plug G 1/4"	C35E
8	disc nut	X20Cr13 1.4021
9	split ring cotter	X20Cr13 1.40021
10	locking washer	X6CrNiTi 18-10 1.4301
11	bonnet gasket	graphite CrNi
12	gland packing	graphite
13	indicator	EN-GJL-250 JL 1040
14	protecting 36x55	ABS
15	bush	EN-GJS-500-7 JS 1050
16	bolt A2A	zinc galvanized
17	numeric scale	aluminium
18	nut	EN-GJS-500-7 JS 1050
19	thrust bearing	AXK3552+AS3552
20	stem ring	NBR
21	nut	8 + zinc galvanized
22	tab screw	4.8 + zinc galvanized
23	bolt	4.8 + zinc galvanized
24	nut	8 + zinc galvanized
25	plug scaling	stainless steel
26	hexagon bolt	8.8 + zinc galvanized
27	spring pin	spring steel
max. temperature		300°C



figure **443**

ends form flange Y-type

DIMENSIONS



DN	L	D	K	d	Dk	do	n	H	h	Kv	
mm								mm		m ³ /h	kg
40	200	150	110	84	150	19	4	330	24	36,9	12,5
50	230	165	125	99	150	19	4	335	30	58,4	15,2
65	290	185	145	118	175	19	4	360	40	96,9	23,0
80	310	200	160	132	200	19	8	420	45	145,0	29,0
100	350	220	180	156	225	19	8	425	50	232,4	40,5
125	400	250	210	184	250	19	8	465	50	370,8	56,0
150	480	285	240	211	300	23	8	500	60	500,6	75,5
200	600	340	295	266	400	23	12	665	80	910	136,5
250	730	405	355	319	500	28	12	795	100	1302	210,0
300	850	460	410	370	500	28	12	780	100	1680	270,0

Data given can be changed without notice.

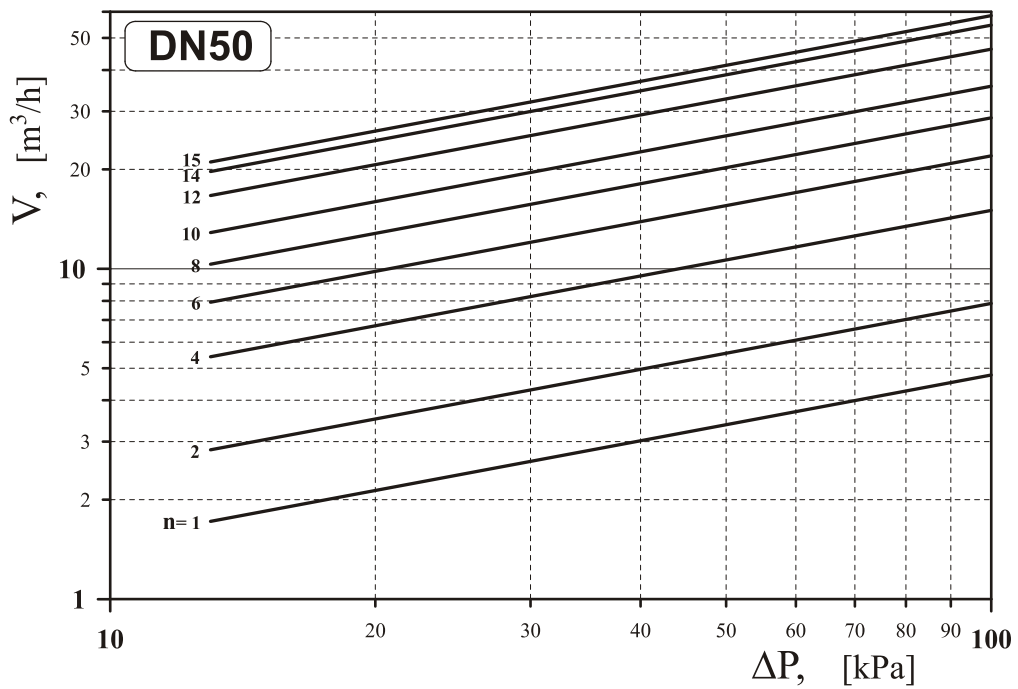
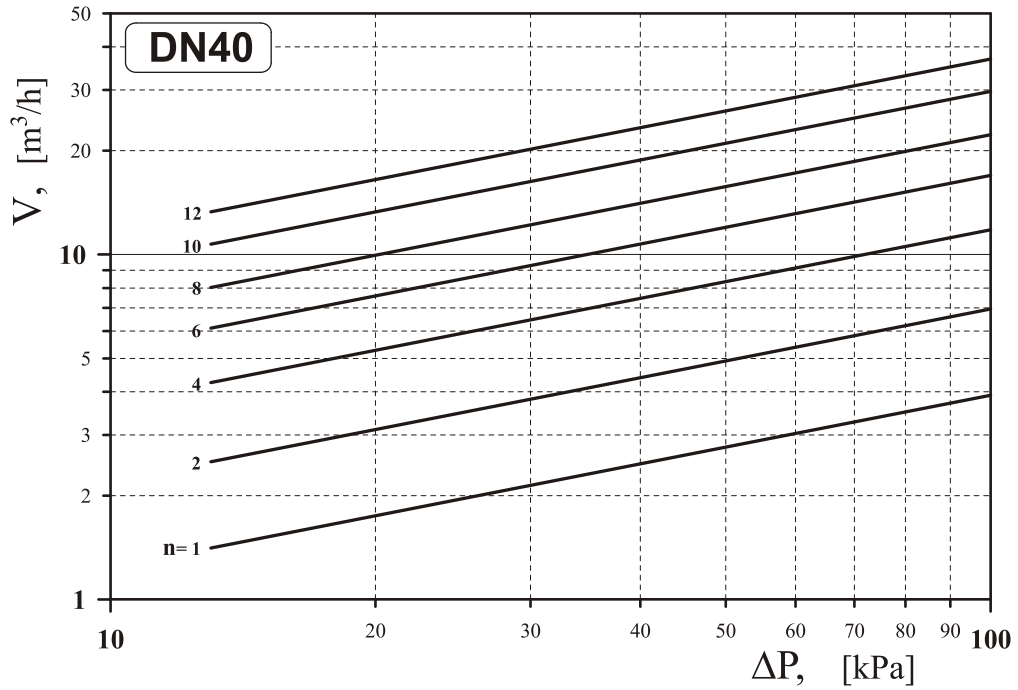
Edition 01/2011



figure **443**

ends form flange
form Y-type

HYDRAULIC CHARACTERISTICS DN40 and DN50



V - flow rate
 ΔP - pressure drop
 n - turn range of hand-wheel



figure

443

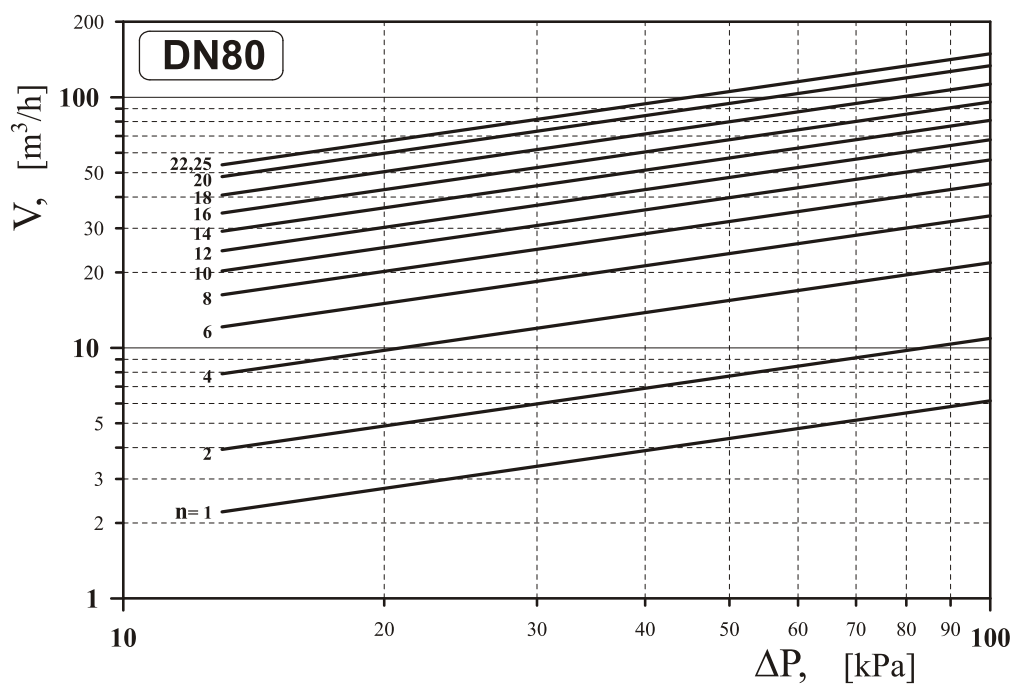
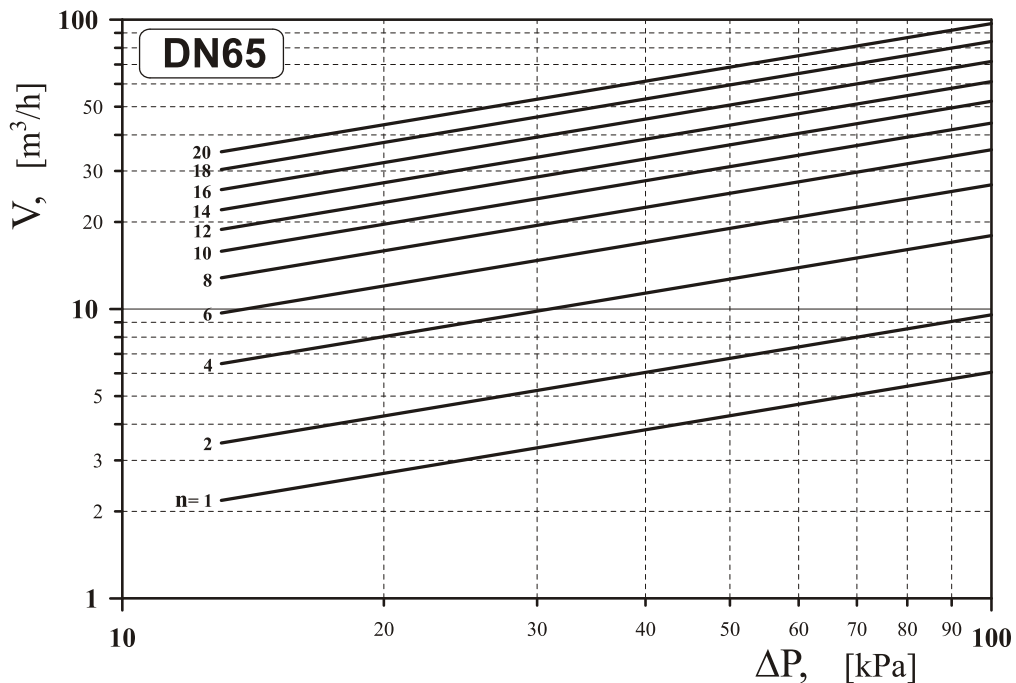
ends
form

flange
Y-type



ZETKAMA

HYDRAULIC CHARACTERISTICS DN65 and Dn80



V - flow rate
 ΔP - pressure drop
 n - turn range of hand-wheel

Data given can be changed without notice.

Edition 01/2011

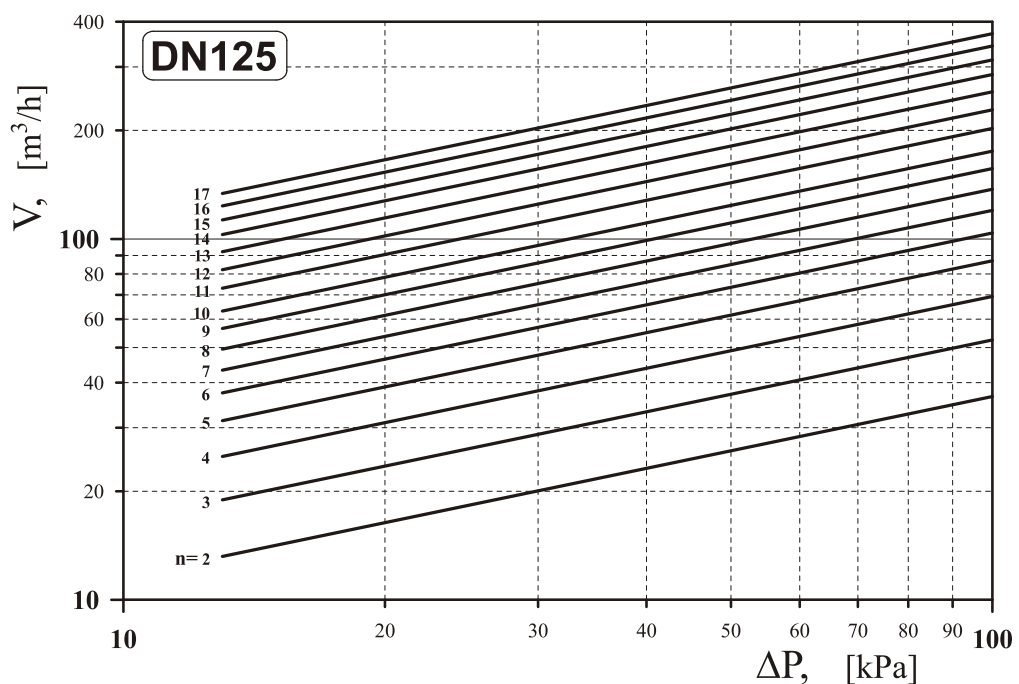
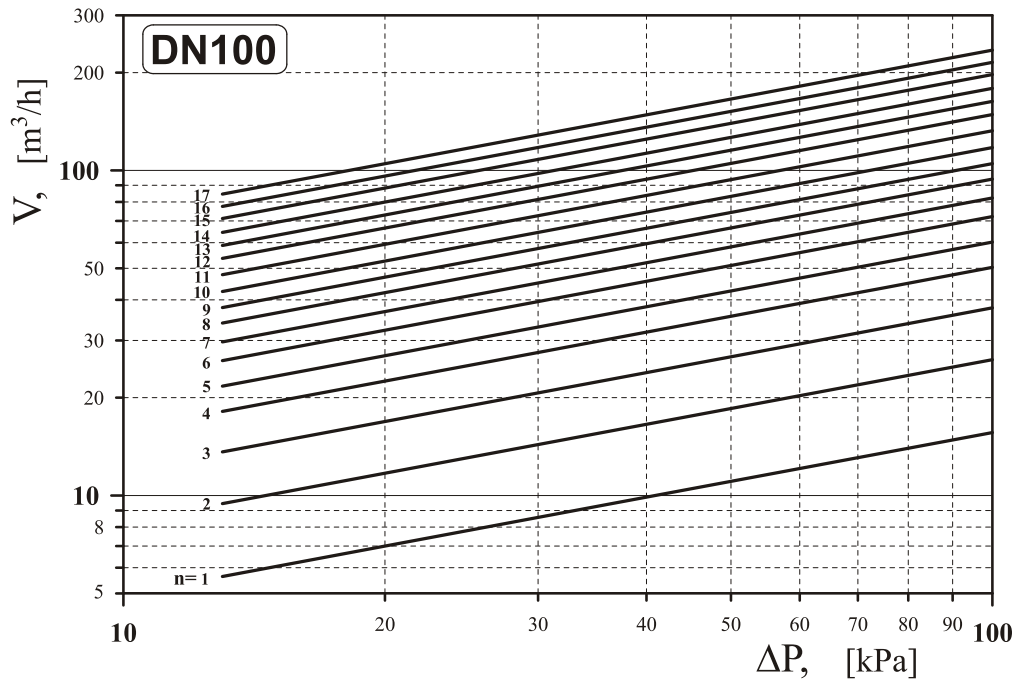


figure

443

ends
formflange
Y-type

HYDRAULIC CHARACTERISTICS DN100 and Dn125



V - flow rate
 ΔP - pressure drop
n - turn range of hand-wheel

Data given can be changed without notice.

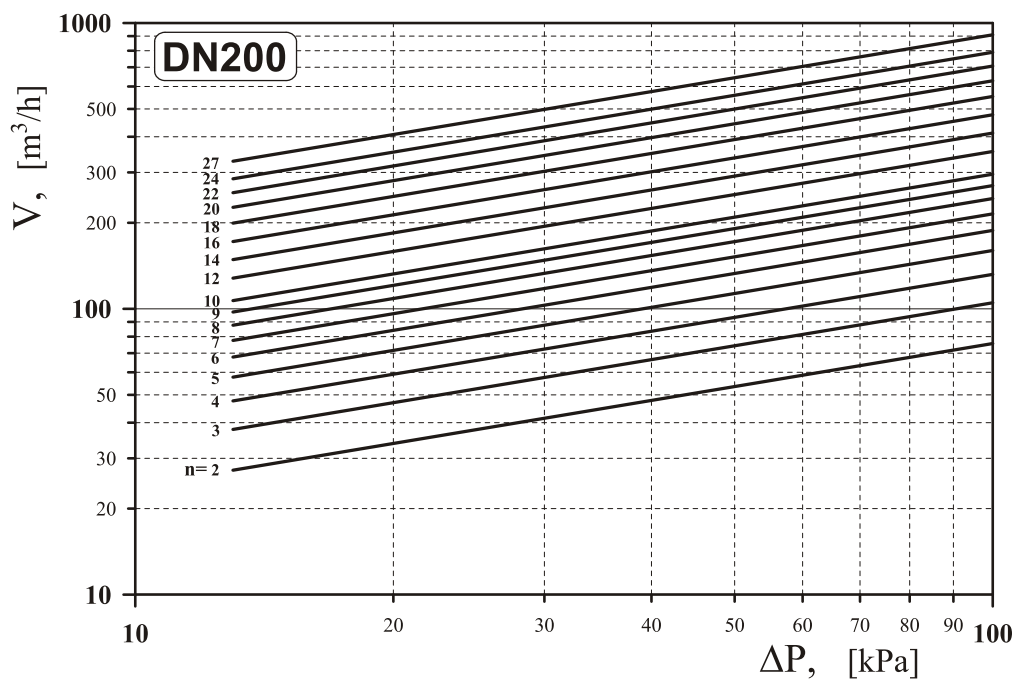
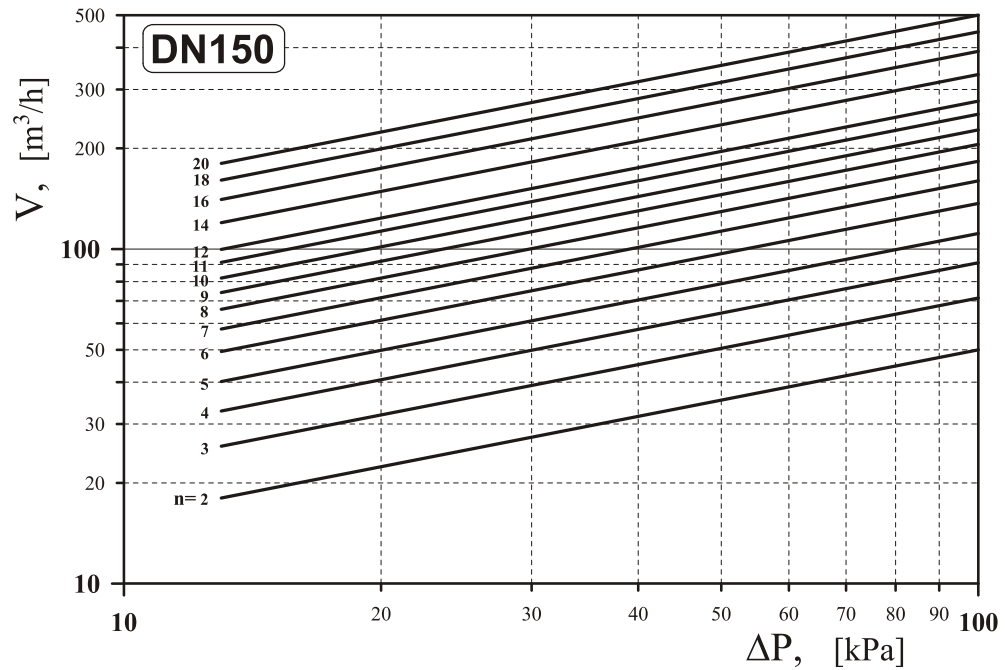
Edition 01/2011



figure 443

ends form flange
form Y-type

HYDRAULIC CHARACTERISTICS DN150 and DN200

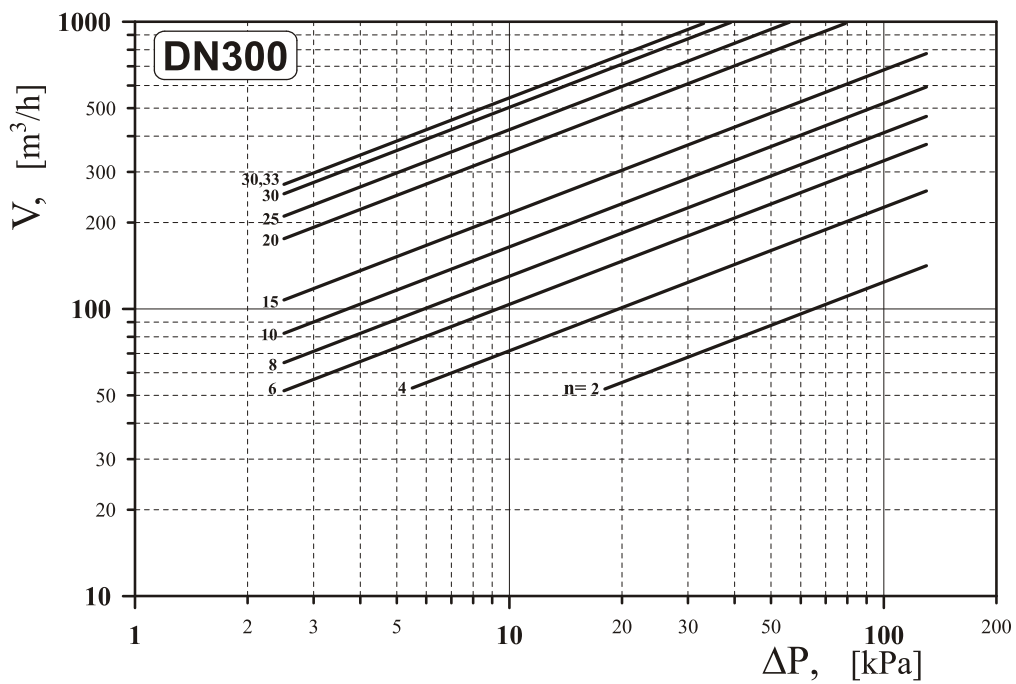
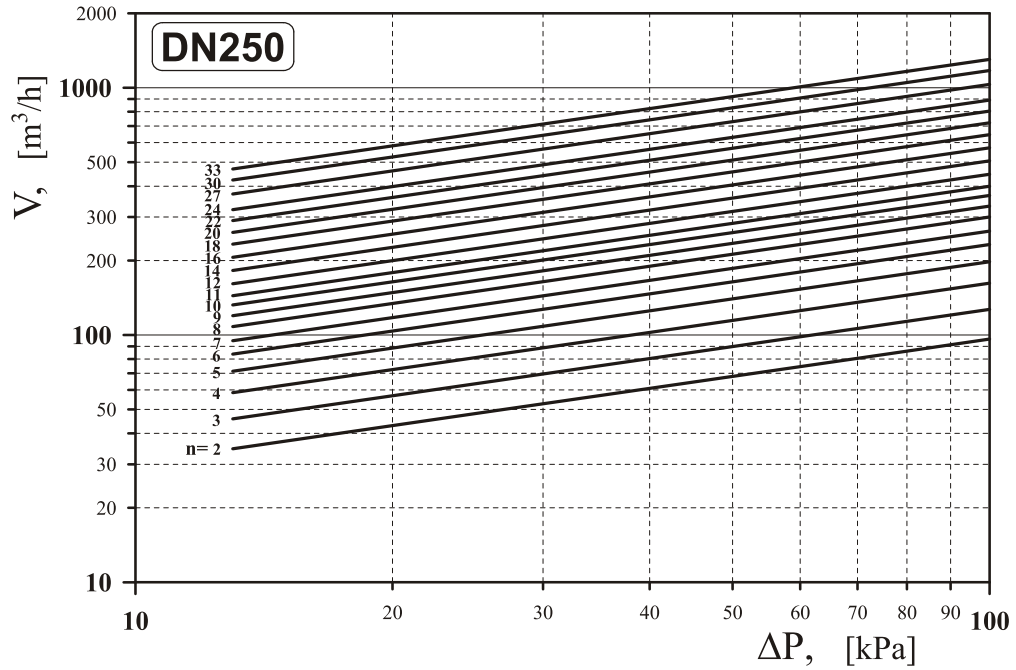


V - flow rate
 ΔP - pressure drop
n - turn range of hand-wheel



figure **443**
 ends form flange
 form Y-type

HYDRAULIC CHARACTERISTICS DN250 and DN300



V - flow rate
 ΔP - pressure drop
 n - turn range of hand-wheel

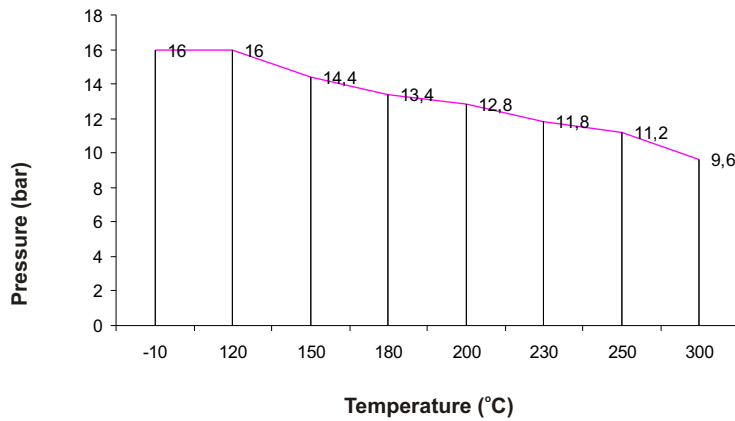
Data given can be changed without notice.

Edition 01/2011



figure

443

ends
formflange
Y-type**PRESSURE-TEMPERATURE RATINGS****Allowed working conditions range
PN 16 EN-GJL-250****DIFFERENTIAL PRESSURE**

DN	40 - 150	200	250	300
Δp	1,6 MPa	1,0 MPa	0,6 MPa	0,4 MPa



figure	443
ends form	flange Y-type

TYPES



ORDERING

To place an order please use our product number (index)



ORDER EXAMPLE

