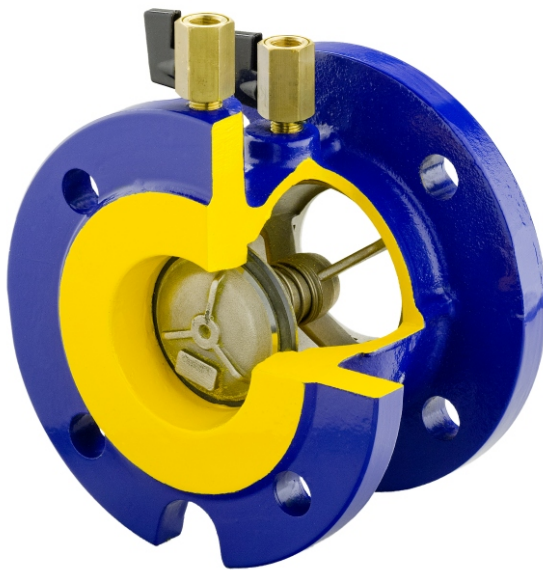




figure **408**
ends form flanged straight

 **BACK FLOW PREVENTER**

body material	nominal pressure	nominal diameter	max. temperature
A grey cast iron	C 16 bar	DN 50-250	70°C



EA1

FEATURES

- allows installation in all positions
- low head losses
- no maintenance
- prevents potentially contaminated fluid polluting in the supply system
- easy to install and to maintain

APPLICATION

- water supply system

Data given can be changed without notice.

Edition 01/2011



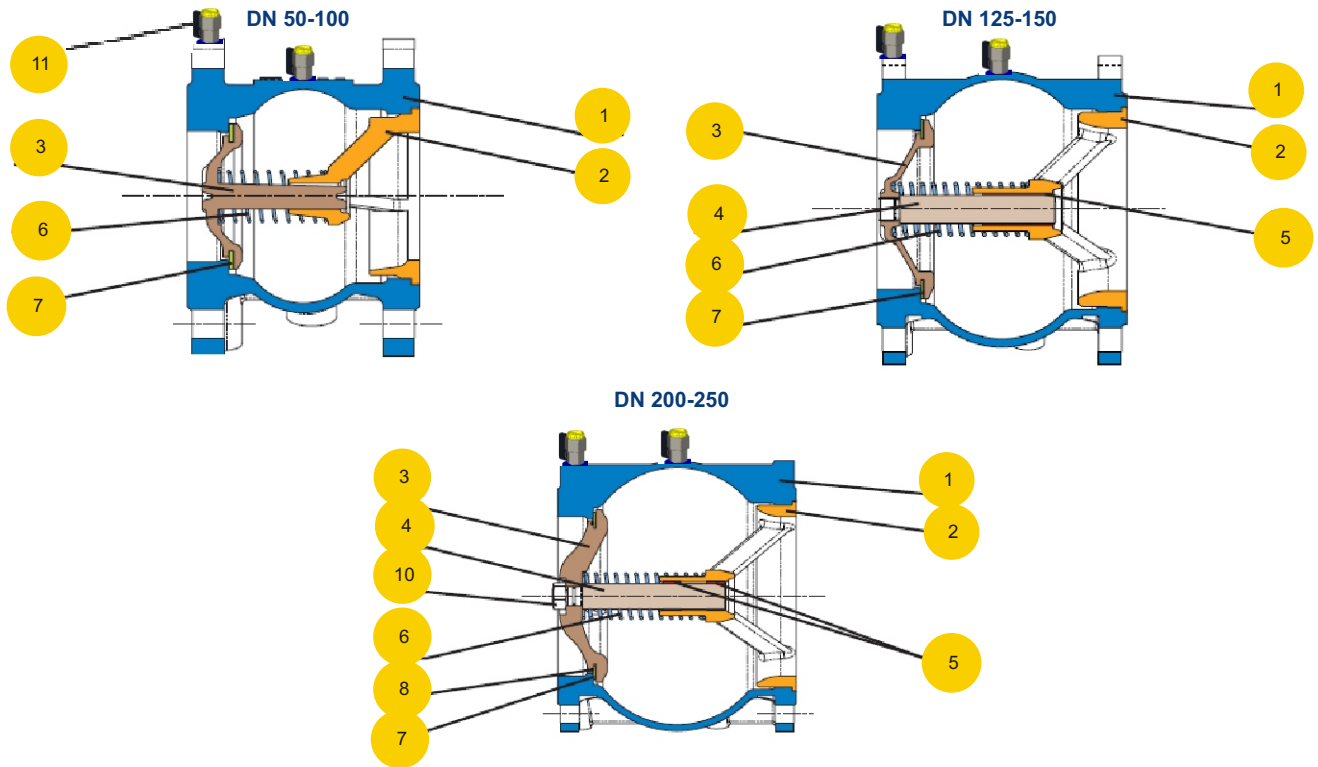
figure

408

ends
form

flanged
straight

MATERIALS



	body material	A
	type	53
1	body	EN-GJL-250 JL1040
2	guide (DN 50-100)	brass G/CuZn40Pb2
2	guide (DN 125-250)	EN-GJL-250 JL1040
3	closing system (DN 50-100)	brass G/CuZn40Pb2
3	closing system (DN 125-250)	EN-GJL-250 JL1040
4	guiding stem (DN 125-250)	brass P/CuZn40Pb2
5	shaft housing (DN 125-250)	brass P/CuZn40Pb2
6	spring	AISI 302
7	seal	NBR
8	hex nut (DN 200-250)	AISI 316
10	drain plug with O Ring seal *	brass/NBR
11	1/2" F valvel	DRL brass
	max. temperature	70°C

* optional

Data given can be changed without notice.

Edition 01/2011



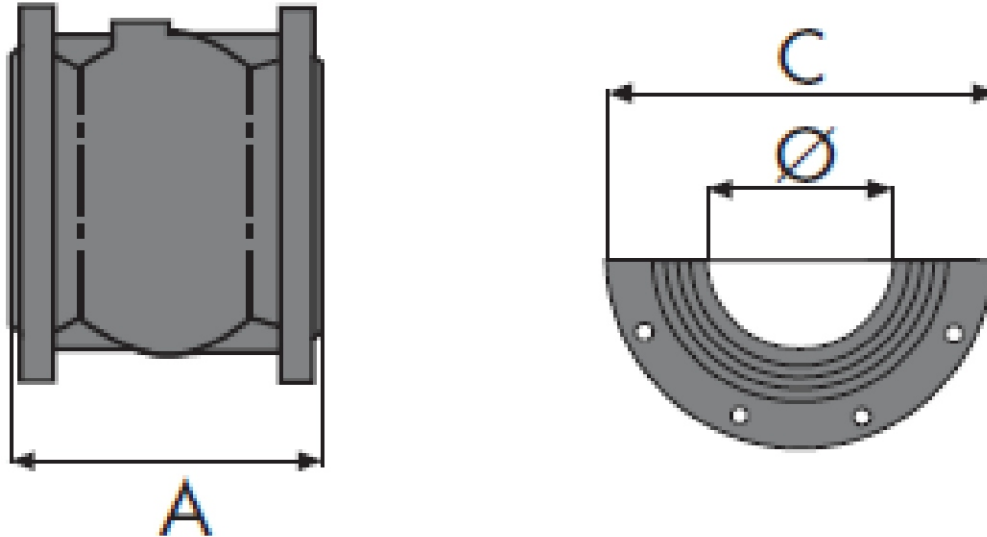
figure

408

ends
form

flanged
straight

DIMENSIONS




DN	∅	A	C	Kv	
mm				m ³ /h	kg
50	50	100	165	90	5,6
65	65	120	185	138	7,6
80	80	140	200	228	9,8
100	100	170	220	354	13,8
125	125	200	250	486	20,6
150	150	230	285	603	28,6
200	200	300	340	1080	48,6
250	250	370	405	1770	81,4



figure **408**

ends form flanged straight

HYDRAULIC CHARACTERISTICS

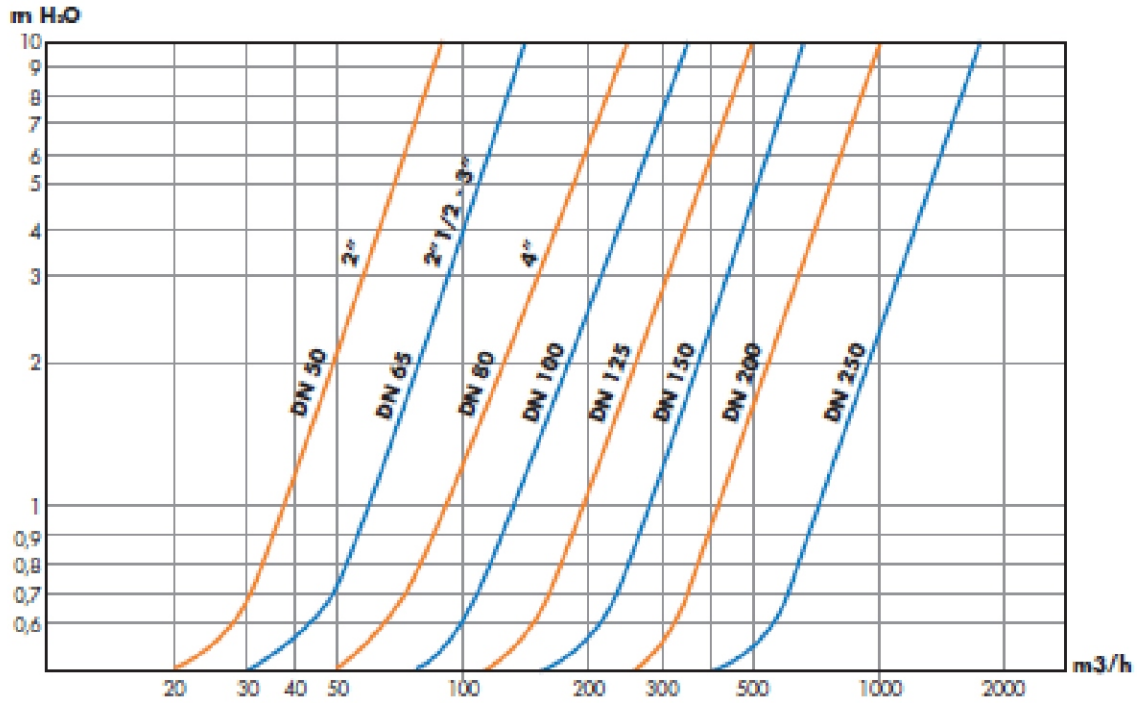




figure	408
ends form	flanged straight

TYPES

figure	body material	nominal diameter DN	nominal pressure PN	type
408	A grey cast iron EN-GJL-250	50-250 mm	C 16bar	53 Tmax 70 °C spring - stainless steel · guide - brass (DN 50-100), GJL 250 (DN 125-250) · with valves 1/2" F

ORDERING

To place an order please use our product number (index)



ORDER EXAMPLE

	408	A	050	C	53
check flow preventer , ends flanged, form straight	408				
grey cast iron EN-GJL-250		A			
nominal diameter DN50			050		
nominal pressure PN16				C	
spring - stainless steel · guide - brass (DN 50-100), GJL 250 (DN 125-250) · with valves 1/2" F					53