



figure

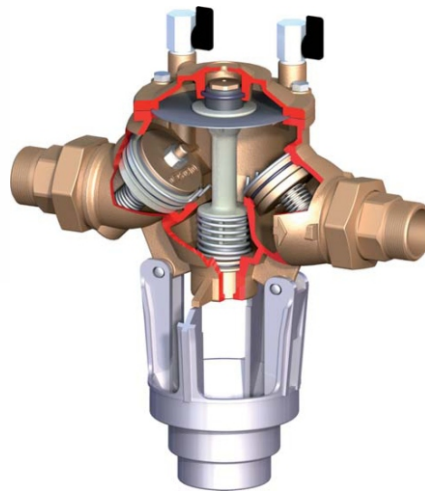
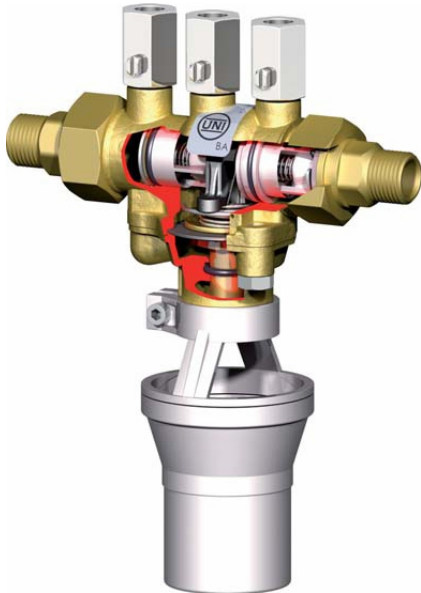
406

ends
form

threaded
stright



BACK FLOW PREVENTER



| body material | nominal pressure | nominal diameter | max. temperature |
|---------------|------------------|------------------|------------------|
| H brass | B 10 bar | DN 15-20 | 65°C |
| E bronze | B 10 bar | DN 20-50 | 65°C |

FEATURES

- compact monobloc construction
- silicon seal
- reduced pressure principle prevents potentially contaminated fluid polluting in the supply system
- easy to install and to maintain

APPLICATION

- water supply system

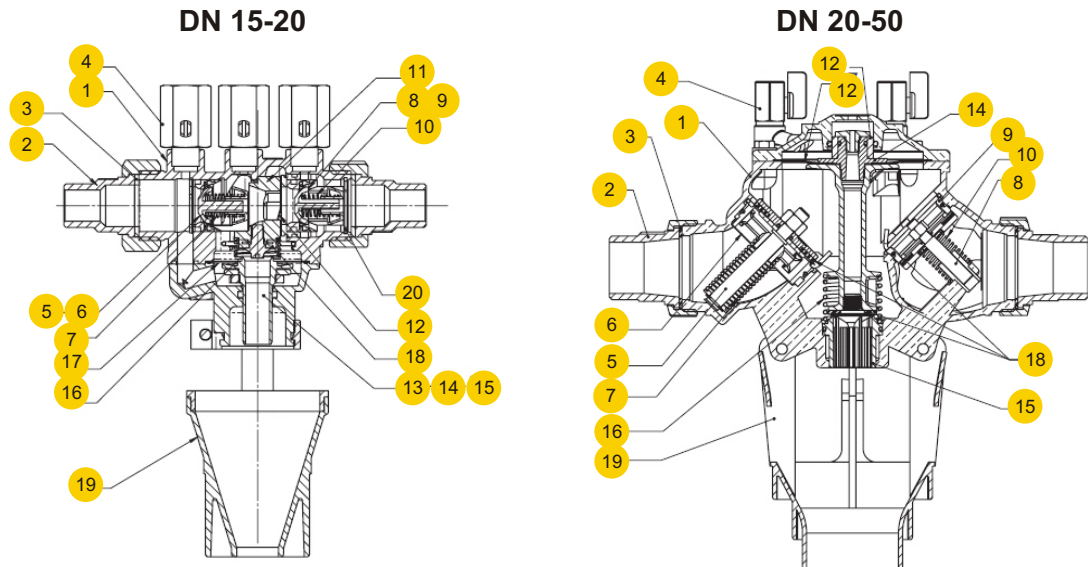
Data given can be changed without notice.

Edition 01/2011



figure 406
ends form threaded stright

MATERIALS



| | body material | H | E |
|----|-------------------------|------------------------|---------------|
| | type | 39, DN 15-20 | 34, DN 20-65 |
| 1 | body | DRL brass | G-CuSn5Zn5Pb5 |
| 2 | connection | DRL brass | |
| 3 | gasket | asbestos free | |
| 4 | 1/4"F valve | DRL brass | |
| 5 | upstream valve | POM (Polyoxymethylene) | DRL brass |
| 6 | upstream valve seat | POM (Polyoxymethylene) | NORYL (PPO) |
| 7 | upstream valve spring | AISI 302 | |
| 8 | downstream valve | POM (Polyoxymethylene) | DRL brass |
| 9 | downstream valve seat | POM (Polyoxymethylene) | G-CuSn5Zn5Pb5 |
| 10 | downstream valve spring | AISI 302 | |
| 11 | manifold | Noryl (PPO) | - |
| 12 | elastic strip | AISI 302 | - |
| 13 | compensator | DRL brass | PTFE |
| 14 | relief valve | DRL brass | NORYL (PPO) |
| 15 | relief valve seat | DRL brass | |
| 16 | relief valve spring | AISI 302 | |
| 17 | membrane | Neoprene+Nylon | |
| 18 | valve gasket | silicone rubber | |
| 19 | conveyor | polypropylene | |
| 20 | UNI 743725 ring | stainless steel | - |
| | max. temperature | 65°C | |

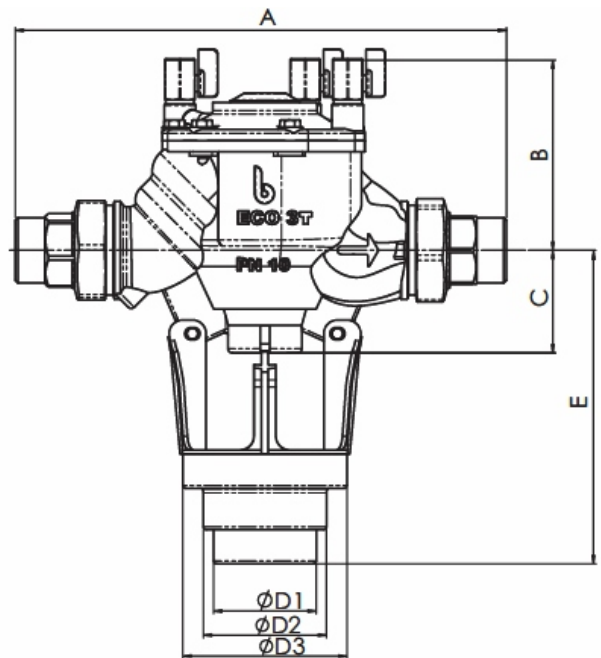
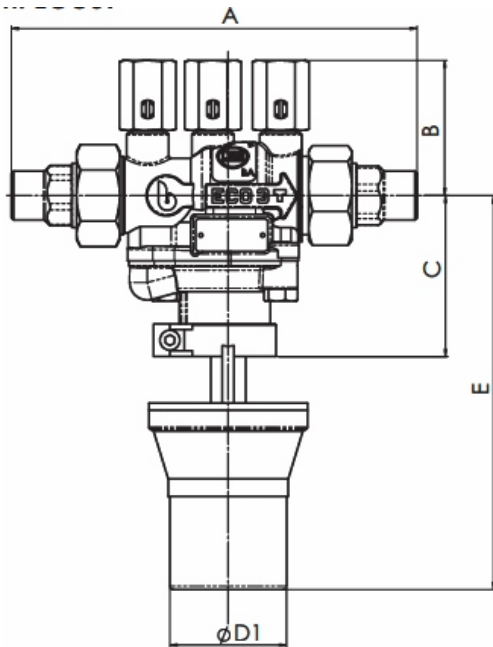
Data given can be changed without notice.


Edition 01/2011



figure 406
ends form threaded stright

DIMENSIONS



| DN | A | B | C | D1/2/3 | E |  | Kv |
|----|-----|-----|----|-----------|-----|---|------|
| mm | mm | | | | | kg | |
| 15 | 174 | 58 | 69 | 50 | 169 | 1,45 | 1,05 |
| 20 | 258 | 107 | 55 | 63 | 186 | 4 | 6,9 |
| 25 | 258 | 107 | 55 | | 186 | 4 | 9,7 |
| 32 | 357 | 140 | 75 | 75/90/120 | 230 | 9 | 21,6 |
| 40 | 357 | 140 | 75 | | 230 | 9 | 21,6 |
| 50 | 429 | 159 | 88 | | 243 | 13 | 27,9 |

Data given can be changed without notice.

Edition 01/2011



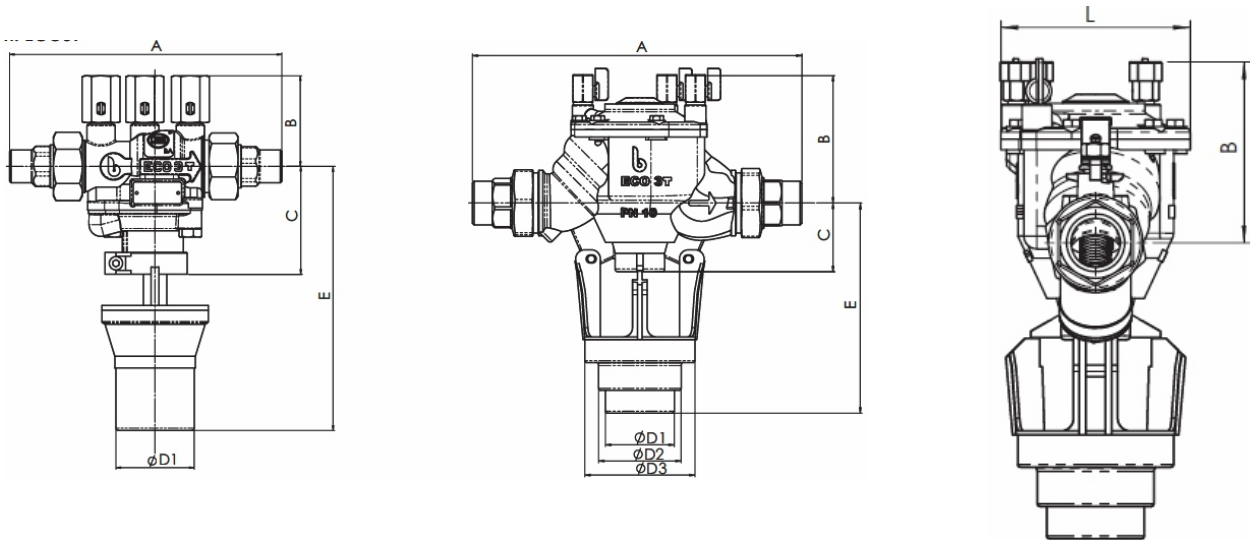
figure

406


ends
form

threaded
stright

DIMENSIONS



UNIT

| DN | S | B | E | G | L | V |  |
|----|-----|-----|-----|-----|-----|-----|---|
| mm | mm | | | | | | kg |
| 15 | 355 | 58 | 169 | 51 | 68 | 103 | 2,35 |
| 20 | 468 | 107 | 186 | 60 | 106 | 123 | 5,2 |
| 25 | 502 | 107 | 186 | 72 | 106 | 123 | 5,9 |
| 32 | 642 | 140 | 230 | 77 | 146 | 153 | 11,8 |
| 40 | 673 | 140 | 230 | 87 | 146 | 153 | 12,8 |
| 50 | 810 | 159 | 243 | 103 | 181 | 185 | 19,8 |

Data given can be changed without notice.

Edition 01/2011



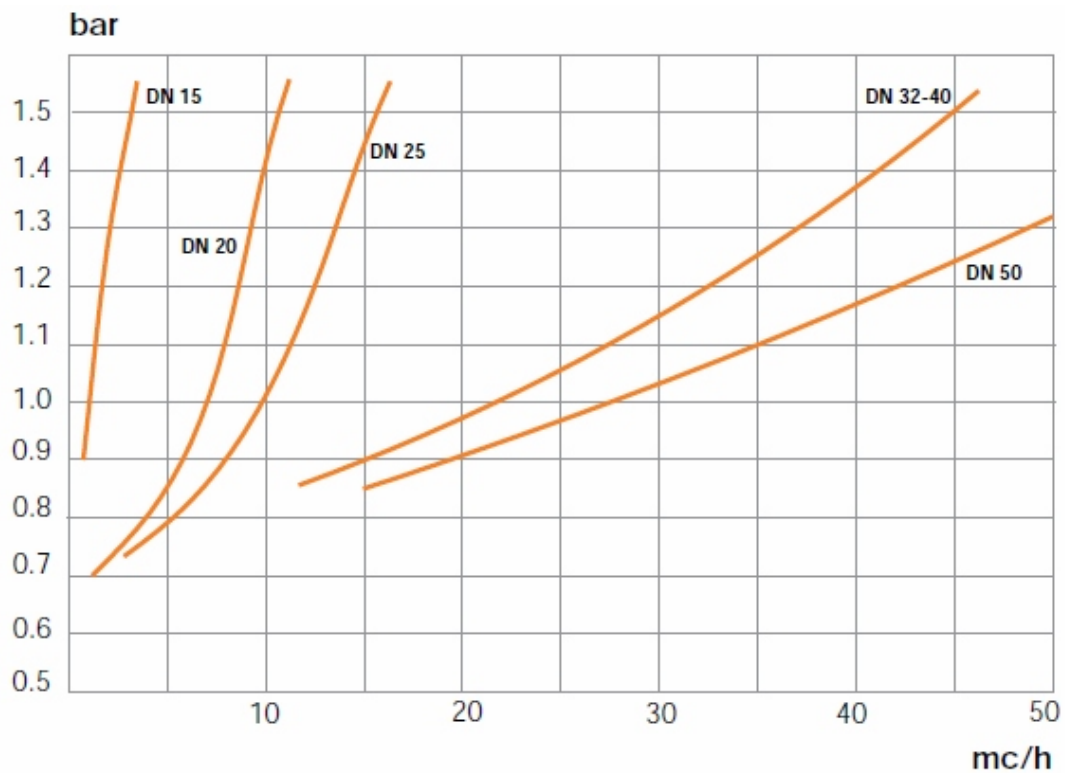
figure

406

ends
form

threaded
stright

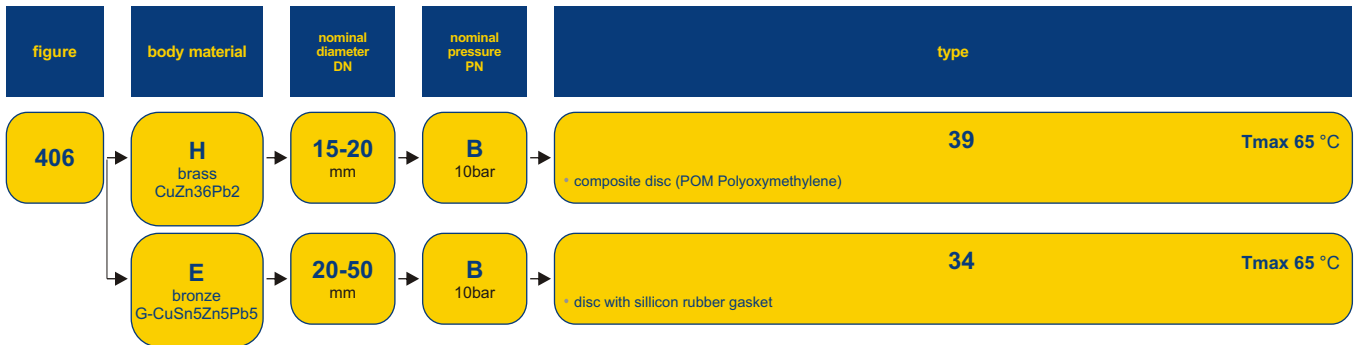
LOSS OF HEAD DIAGRAM





| | |
|-----------|-------------------|
| figure | 406 |
| ends form | threaded straight |

TYPES



ORDERING

To place an order please use our product number (index)



ORDER EXAMPLE

