

figure **277**

ends form threaded straight



CHECK VALVE

body material	nominal pressure	nominal diameter	max. temperature
A grey cast iron	C 16 bar	DN 10-50	200°C



correspond to the pressure equipment directive 97/23/EC marking CE for DN≥32

FEATURES

- closing tightness acc. EN -12334
- compact settlement
- environment-friendly
- no maintenance

APPLICATION

- hot cold and cooling water plants
- low-pressure steam plants
- industrial technologies
- neutral fluids

Data given can be changed without notice.

Edition 01/2011

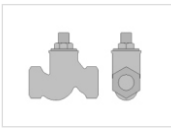
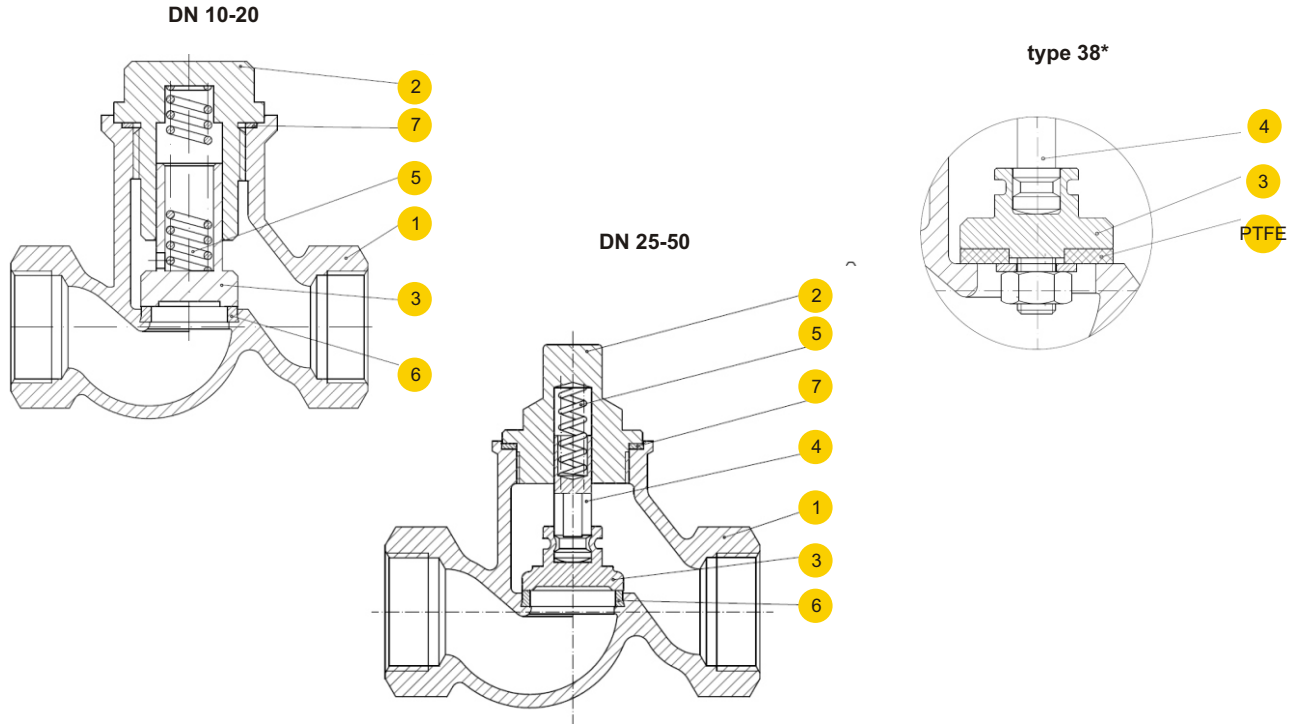


figure 277
 ends form threaded straight

MATERIALS



body material		A			
type		31 (DN 10-20)	31 (DN 25-50)	41 (DN 10-20)	41 (DN 25-50)
1	body	EN – GJL-250 JL1040			
2	bonnet	EN – GJL-250 JL1040			
3	disc	X20Cr13 1.4021			
4	stem	-----	X20Cr13 1.4021	-----	X20Cr13 1.4021
5	spring	X17CrNi16-2 1.4057		-----	
6	seat ring	X12Cr13 1.4006			
7	gasket	carbamide-caoutchouc			
max. temperature		200°C			

* on request max. temperature 120°C

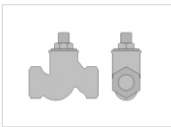
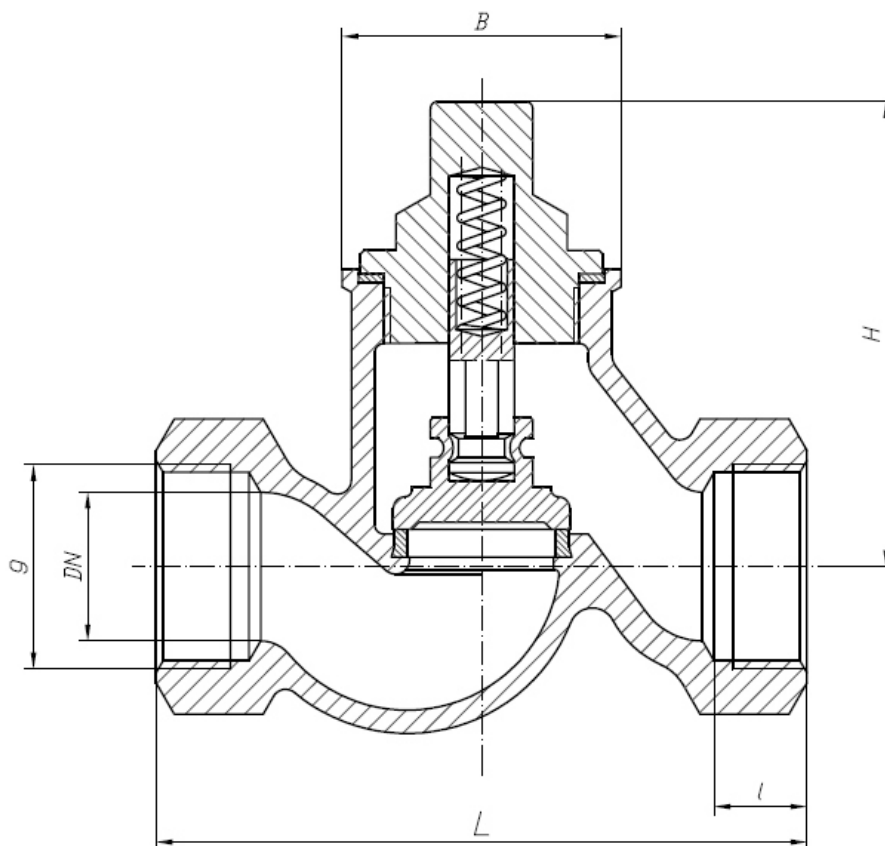



figure **277**

ends form threaded
form straight

DIMENSIONS



DN	G	L	I	H	B	
mm		mm				kg
10	3/8"	85	12	53	36	0,4
15	1/2"	90	14	56	41	0,7
20	3/4"	100	16	56	41	0,9
25	1"	120	18	82	50	1,2
32	1 1/4"	140	20	99	60	1,7
40	1 1/2"	170	22	112	68	2,2
50	2"	200	24	121	84	3,6

Data given can be changed without notice.

Edition 01/2011

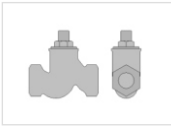
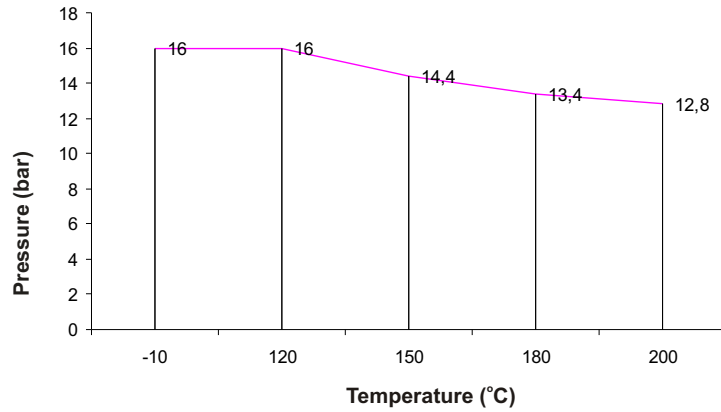


figure **277**

ends form threaded straight

PRESSURE-TEMPERATURE RATINGS



Allowed working conditions range
PN 16 EN-GJL-250

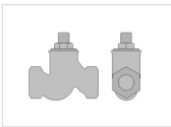
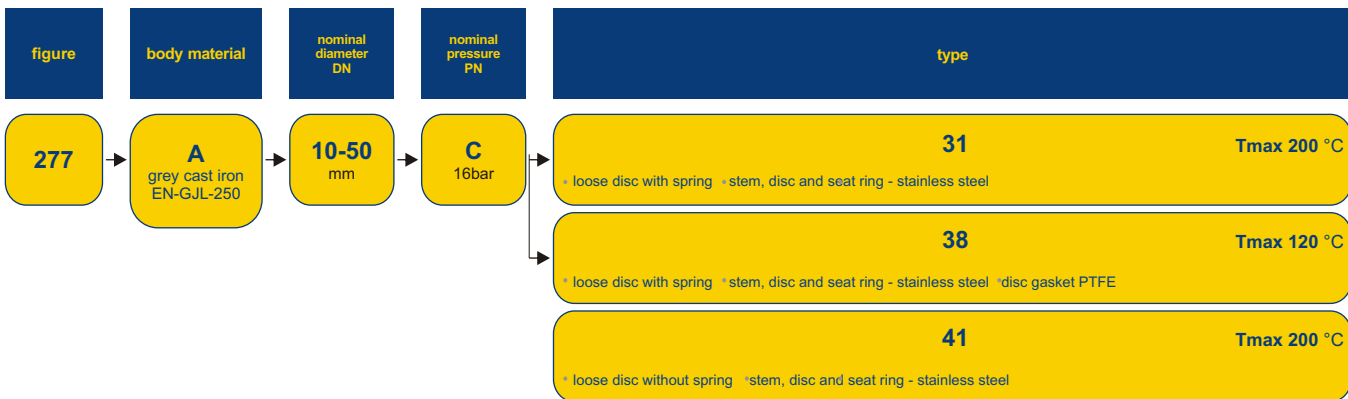


figure **277**
ends form threaded straight

TYPES



ORDERING

To place an order please use our product number (index)



ORDER EXAMPLE

