



figure **235**  
ends form flanged  
form angle

## BELLOW SEALED STOP VALVE



material	nominal pressure	nominal diameter	max temperature
A grey cast iron	C 16 bar	DN 15-250	300°C
C nodular cast iron	C 16 bar	DN 15-200	350°C
	D 25 bar	DN 15-80	



correspond to the pressure equipment directive 97/23/EC  
marking CE for DN≥32

### FEATURES

- high tightness (leakproofness class - A acc. EN - 12266 - 1)
- compact settlement
- environment-friendly
- tests acc. EN - 12266 - 1
- flanges drilled according to EN 1092-2
- face-to-face dimension according to EN 558-1 series 1

### APPLICATION

- hot and cold water plants
- steam plants
- neutral fluids

Data given can be changed without notice.

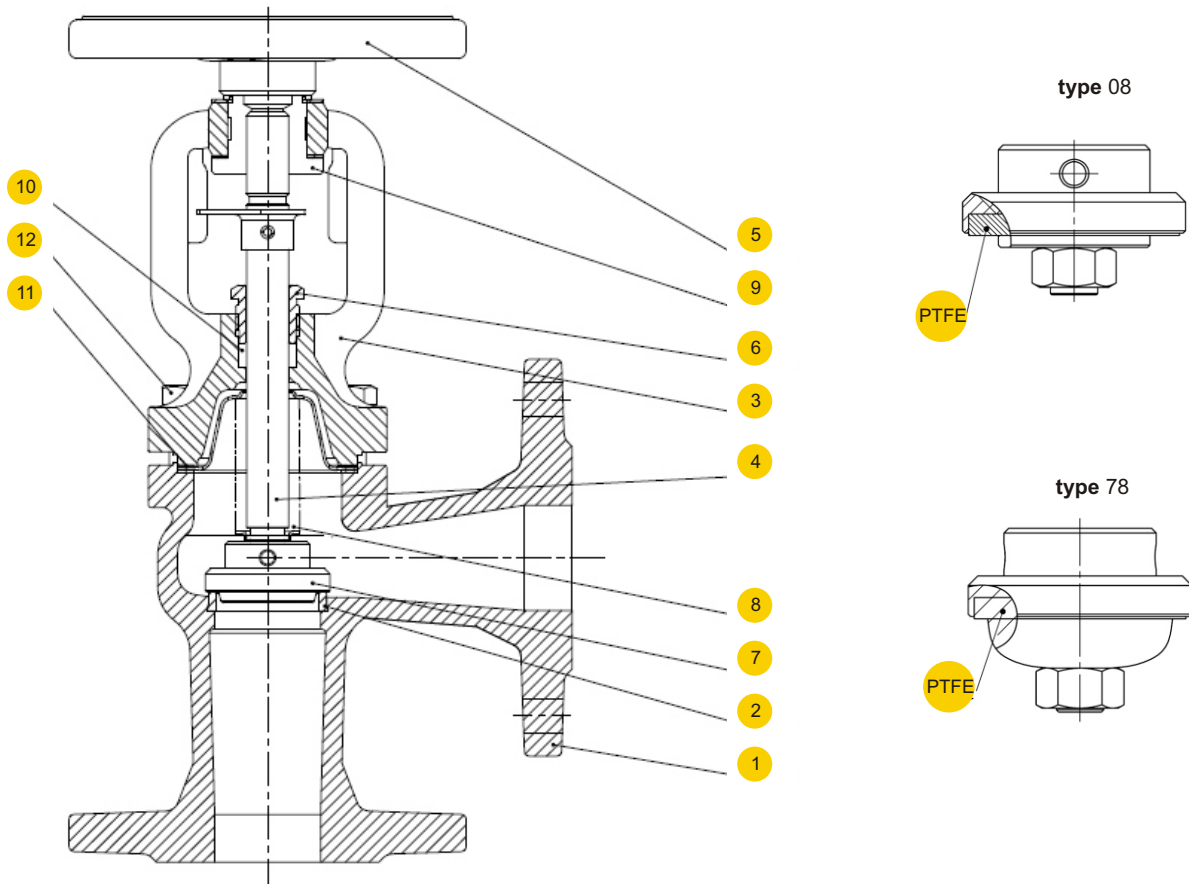
Edition 04/2009



figure **235**

ends form flanged angle

**MATERIALS**



	body material	A	C
	type	01; 04	01; 04
1	body	EN – GJL-250 JL1040	EN – GJS400 - 18-LT JS1025
2	seat ring		X12Cr13 1.4006
3	bonnet		EN – GJS400 - 18-LT Js1025
4	stem		X20Cr13 1.4021
5	hand-wheel		steel
6	gland		11SMnPb30
7	disc		X20Cr13 1.4021
8	bellow		X6CrNiMoTi-17-12-2
9	sleeve		11SMnPb30
10	gland packing		graphite
11	bonnet gasket		graphite+CrNiSt
12	hexagon bolt	8.8	A2-70
	max. temperature	300°C	350°C

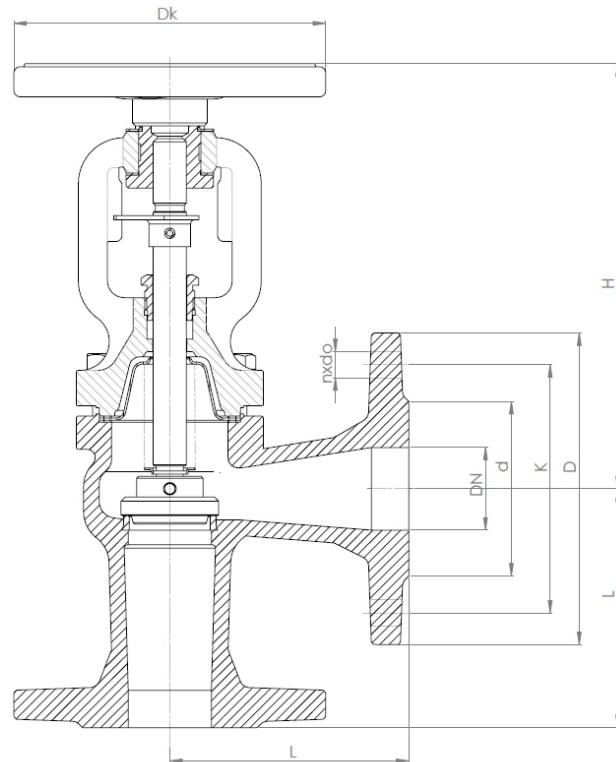
Data given can be changed without notice.

Edition 04/2009



figure **235**  
ends form flanged angle

**DIMENSIONS**



DN	PN 16				PN 16,25				type 71		
	D	d	K	n x do	Dk	h	L	H	Kvs		
mm									m <sup>3</sup> /h	kg	kg
15	95	46	65	4x14	125	5	90	181	7,2	3,2	3,2
20	105	56	75	4x14	125	5	95	178	9,2	3,7	3,9
25	115	65	85	4x14	125	7	100	192	16,0	4,9	5,0
32	140	76	100	4x19	125	8	105	188	22,0	6,5	6,7
40	150	84	110	4x19	150	10	115	205	37,0	8,8	9,1
50	165	99	125	4x19	150	13	125	211	51,0	9,7	10,2
65	185	118	145	4x19	175	17	145	242	98,5	13,8	14,3
80	200	132	160	8x19	200	20	155	251	143	18,0	18,9
100	220	156	180	8x19	250	25	175	307	226	31,0	33,0
125	250	184	210	8x19	300	32	200	337	291	44,0	46,5
150	285	211	240	8x23	400	38	225	366	455	69,0	71,0
200	340	266	295	12x23	500	50	275	493	625	110,5	-
250	405	319	355	12x28	500	63	325	531	-	-	-

Data given can be changed without notice.

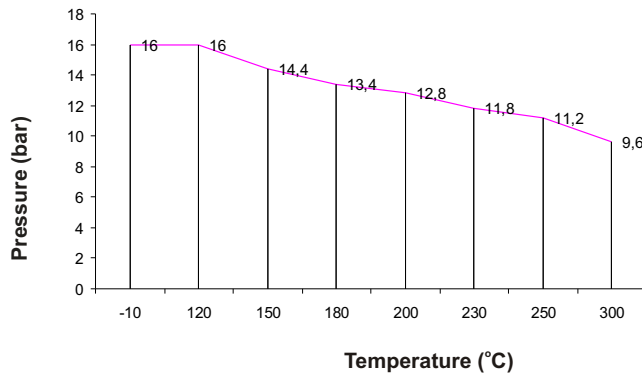
Edition 04/2009



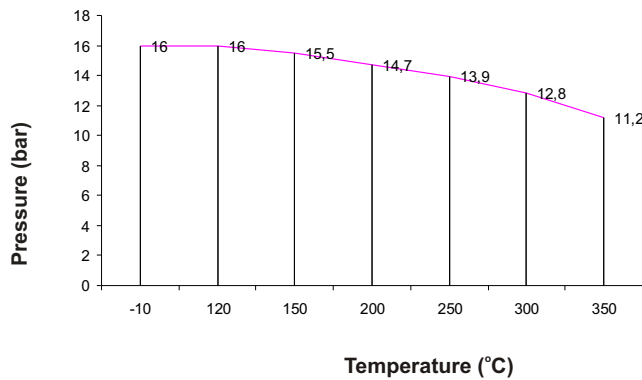
figure 235

ends form flanged angle

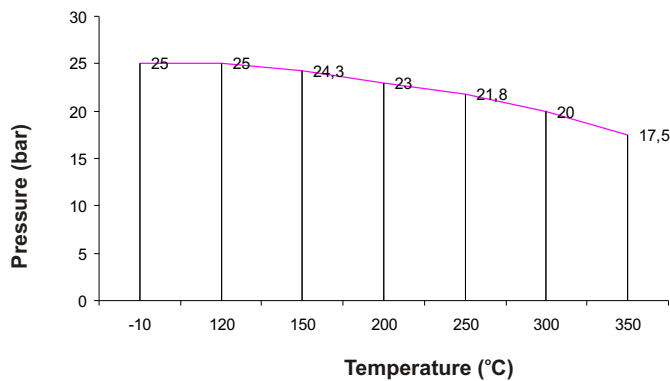
## PRESSURE-TEMPERATURE RATINGS



Allowed working conditions range  
PN 16 EN-GJL-250



Allowed working conditions range  
PN 16 EN-GJS-400-18-LT



Allowed working conditions range  
PN 25 EN-GJS-400-18-LT



**figure 235**  
ends form flanged angle

## TYPES

figure	body material	nominal diameter DN	nominal pressure PN	type
235	A grey cast iron EN-GJL-250	15-150 mm	C 16bar	01 Tmax 300 °C • disc connected with bellow • stem, disc, bellow and seat ring - stainless steel
		200-250 mm	C 16bar	04 Tmax 300 °C • balancing disc connected with bellow • stem, disc, bellow and seat ring - stainless steel
		15-200 mm	C 16bar	71 Tmax 300 °C • throttling disc connected with bellow • stem, disc, bellow and seat ring - stainless steel
	C nodular cast iron EN-GJS-400-18-LT	15-150 mm	C 16bar	01 Tmax 350 °C • disc connected with bellow • stem, disc, bellow and seat ring - stainless steel
		200 mm	C 16bar	04 Tmax 350 °C • balancing disc connected with bellow • stem, disc, bellow and seat ring - stainless steel
		15-200 mm	C 16bar	71 Tmax 350 °C • throttling disc connected with bellow • stem, disc, bellow and seat ring - stainless steel
		15-80 mm	D 25bar	01 Tmax 350 °C • disc connected with bellow • stem, disc, bellow and seat ring - stainless steel
		15-80 mm	D 25bar	71 Tmax 350 °C • throttling disc connected with bellow • stem, disc, bellow and seat ring - stainless steel



figure	<b>235</b>
ends form	flanged angle

## ZAMAWIANIE / ORDERING

Uprasza się o zamawianie produktu wg indeksu / To place an order please use our product number (index)



**PRZYKŁAD ZAMÓWIENIA / ORDER EXAMPLE** 235 A 040 C 01

zawór mieszkowy, przyłącze kolnierzowe, kształt kątowy / bellow sealed stop valves, ends flanged, form angle **235**

żeliwo szare / grey cast iron EN-GJL-250 **A**

średnica nominalna / nominal diameter DN40 **040**

ciśnienie nominalne / nominal pressure PN16 **C**

grzyb połączony z mieszkem • trzpień, grzyb i pierścień kadłuba stal nierdzewna / disc connected with bellow • stem, disc and seat ring stainless steel **01**