



figure **230**

ends
form

flanged
angle

BELLOW SEALED STOP VALVE



body material	nominal pressure	nominal diameter	max temperature
A grey cast iron	C 16 bar	DN 15-250	300°C
C nodular cast iron	C 16 bar	DN 15-200	350°C
	D 25 bar	DN 15-80	



correspond to the pressure equipment directive 97/23/EC marking CE for Dn≥32

FEATURES

- high tightness (leakproofness class - A acc. EN -12266 - 1)
- compact settlement
- environment-friendly
- tests acc. EN - 12266 - 1
- flanges drilled according to EN 1092-2
- face-to-face dimension according to EN 558-1 series 8

APPLICATION

- hot and cold water plants
- steam plants
- diatermic oil plants
- industrial technologies
- power engineering

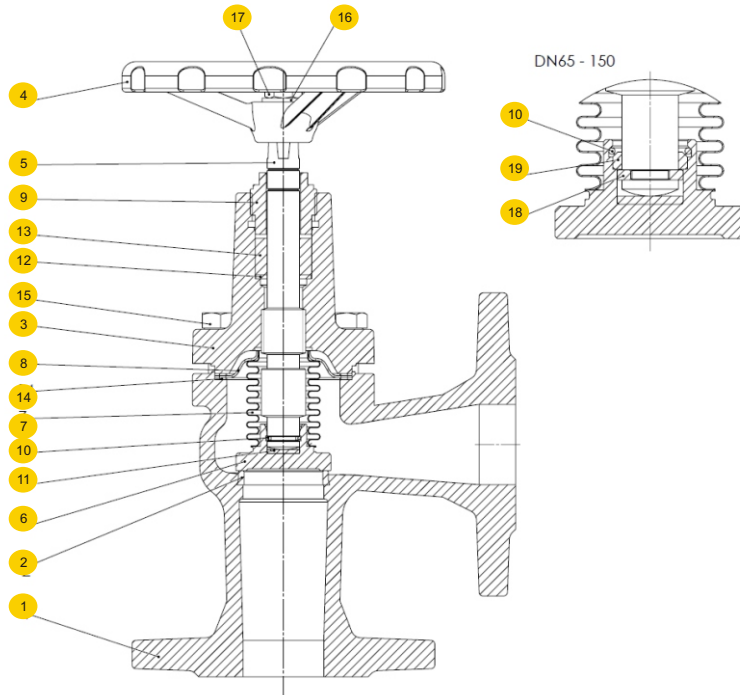
Data given can be changed without notice.

Edition 04/2009

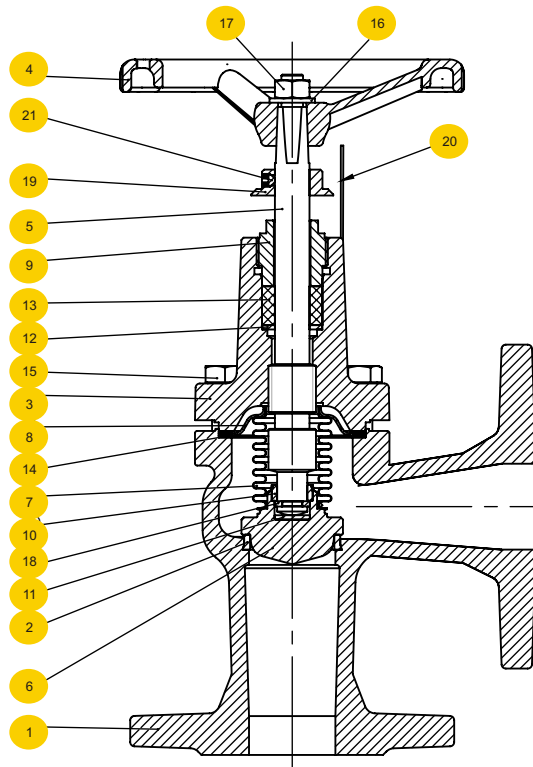


MATERIALS

type 01;04



type 71



Data given can be changed without notice.

Edition 04/2009

figure **230**ends
form flanged
angle**MATERIALS**

	body material type	A		C	
		01; 04	71	01; 04	71
1	body	EN – GJL-250 JL1040		EN – GJS400 - 18-LT JS1025	
2	seat ring	X12Cr13 1.4006		X12Cr13 1.4006	
3	bonnet	EN – GJL-250 JL1040		EN – GJS400 - 18-LT JS1025	
4	hand-wheel	EN – GJS-500-7 JS1050			
5	stem	X20Cr13 1.4021			
6	disc	X20Cr13 1.4021			
7	bellow	X6CrNiMoTi17-12-2 1.4571			
8	bellow basin	X5CrNiMoTi18-10 1.4301			
9	gland	S235JR 1.0037			
10	spring ring	X17CrNi16-2 1.4057			
11	washer	X30Cr13 1.4028			
12	washer	X20Cr13 1.4021			
13	gland packing	graphite			
14	gasket	graphite + NiCr			
15	hexagon bolt	8.8		A2-70	
16	washer	carbon steel			
17	nut	8 + zinc galvanized			
18	split ring cotter	X20Cr13 1.4021			
19	ring	X20Cr13 1.4021			
20	position inductor	-----	carbon steel + zinc galvanized	-----	carbon steel + zinc galvanized
21	tap screw	-----	carbon steel	-----	carbon steel
max. temperature		300°C		350°C	

Data given can be changed without notice.

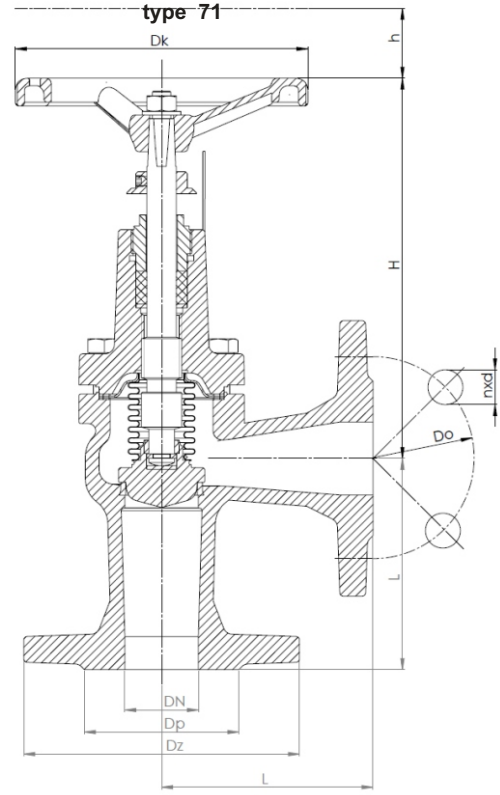
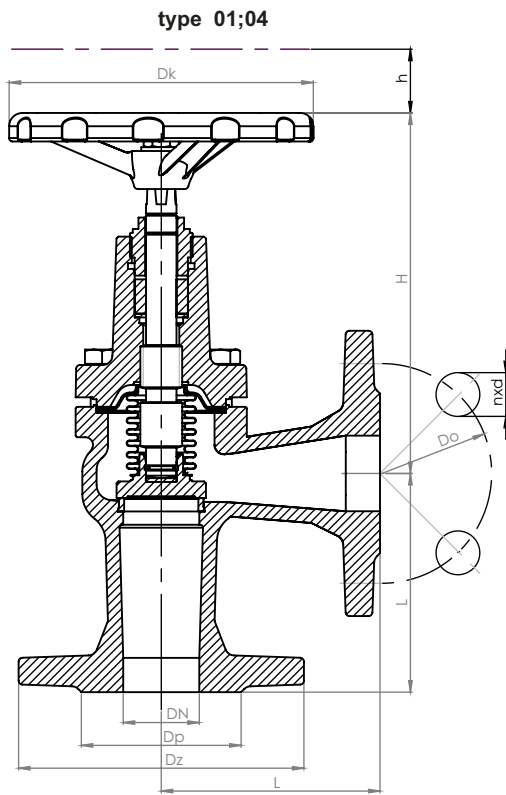
Edition 04/2009



figure **230**

ends form flanged angle

DIMENSIONS



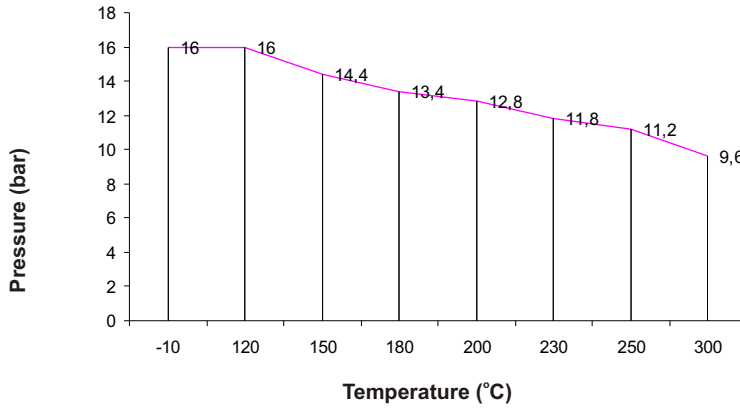
DN	PN 16				PN 25				PN 16,25				type 71				
	D	d	K	n x do	D	d	K	n x do	Dk	h	L	H	Kvs		H	Kvs	
mm													m ³ /h	kg	mm	m ³ /h	kg
15	95	46	65	4x14	95	46	65	4x14	100	5	90	164	7,2	3,2	180	4,7	3,8
20	105	56	75	4x14	105	56	75	4x14	100	5	95	161	9,2	3,9	180	8,1	4,3
25	115	65	85	4x14	115	65	85	4x14	100	7	100	158	16,0	4,6	174	12,4	5,4
32	140	76	100	4x19	140	76	100	4x19	100	8	105	158	22,0	6,3	177	20,0	7,2
40	150	84	110	4x19	150	84	110	4x19	160	10	115	190	37,0	8,7	217	33,0	9,8
50	165	99	125	4x19	165	99	125	4x19	160	13	125	200	51,0	12,3	220	50,0	13,0
65	185	118	145	4x19	185	118	145	8x19	160	16	145	221	98,5	14,9	246	89,5	17,0
80	200	132	160	8x19	200	132	160	8x19	200	20	155	252	143	20	268	134	22,8
100	220	156	180	8x19	-	-	-	-	200	25	175	273	226	28	313	215	35
125	250	184	210	8x19	-	-	-	-	250	32	200	290	281	44	376	301	50,5
150	285	211	240	8x23	-	-	-	-	320	40	225	373	455	64	446	451	73
200	340	266	295	12x23	-	-	-	-	360	50	275	487	625	110	549	-	-
250	405	319	355	12x28	-	-	-	-	360	65	325	524	-	-	-	-	-

Data given can be changed without notice.

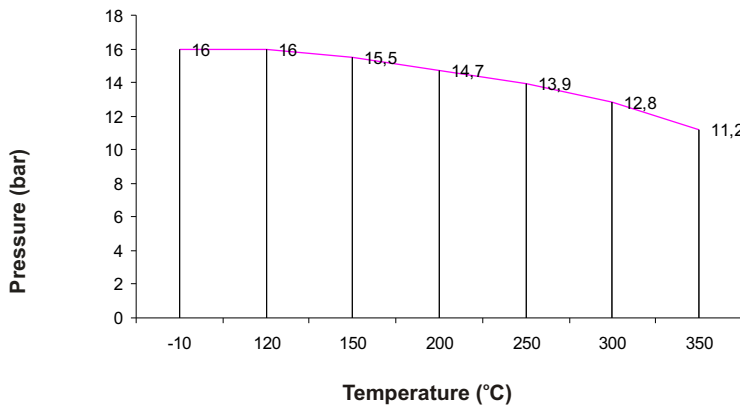
Edition 04/2009



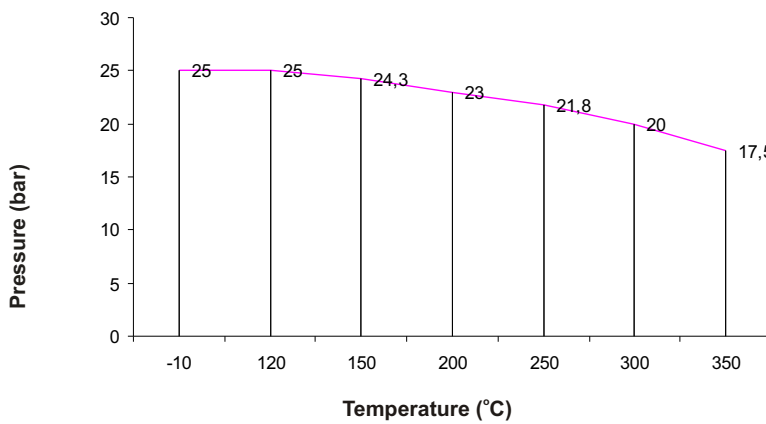
PRESSURE-TEMPERATURE RATINGS



Allowed working conditions range
PN 16 EN-GJL-250



Allowed working conditions range
PN 16 EN-GJS-400-18-LT



Allowed working conditions range
PN 25 EN-GJS-400-18-LT



figure **230**

ends form flanged angle

TYPES

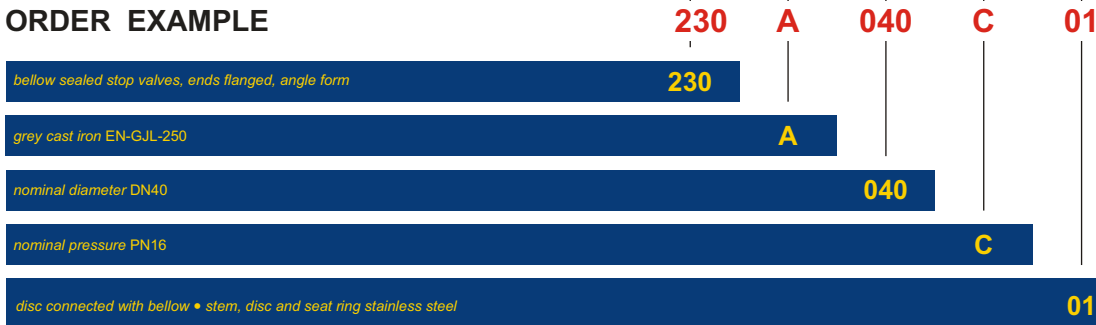
figure	body material	nominal diameter DN	nominal pressure PN	type
230	A grey cast iron EN-GJL-250	15-150 mm	C 16bar	01 Tmax 300 °C disc connected with bellow • stem, disc, bellow and seat ring - stainless steel
		200-250 mm	C 16bar	04 Tmax 300 °C balancing disc connected with bellow • stem, disc, bellow and seat ring - stainless steel
		15-200 mm	C 16bar	71 Tmax 300 °C throttling disc connected with bellow • stem, disc, bellow and seat ring - stainless steel
	C nodular cast iron EN-GJS-400-18-LT	15-150 mm	C 16bar	01 Tmax 350 °C disc connected with bellow • stem, disc, bellow and seat ring - stainless steel
		200 mm	C 16bar	04 Tmax 350 °C balancing disc connected with bellow • stem, disc, bellow and seat ring - stainless steel
		15-200 mm	C 16bar	71 Tmax 350 °C throttling disc connected with bellow • stem, disc, bellow and seat ring - stainless steel
		15-80 mm	D 25bar	01 Tmax 350 °C disc connected with bellow • stem, disc, bellow and seat ring - stainless steel
		15-80 mm	D 25bar	71 Tmax 350 °C throttling disc connected with bellow • stem, disc, bellow and seat ring - stainless steel

ORDERING

To place an order please use our product number (index)



ORDER EXAMPLE



Data given can be changed without notice.

Edition 04/2009