



figure

201

ends
formthreaded
straight

STOP VALVE



body material	nominal pressure	nominal diameter	max. temperature
A grey cast iron	C 16 bar	DN 10-50	200°C



correspond to the pressure equipment directive 97/23/EC marking CE for DN≥32

FEATURES

- high tightness (leakproofness class - A acc. EN -12266 - 1)
- compact settlement
- environment-friendly
- tests acc. EN - 12266 - 1

APPLICATION

- hot cold and cooling water plants
- low-pressure steam plants
- industrial technologies
- heat engineering

Data given can be changed without notice.

Edition 11/2010



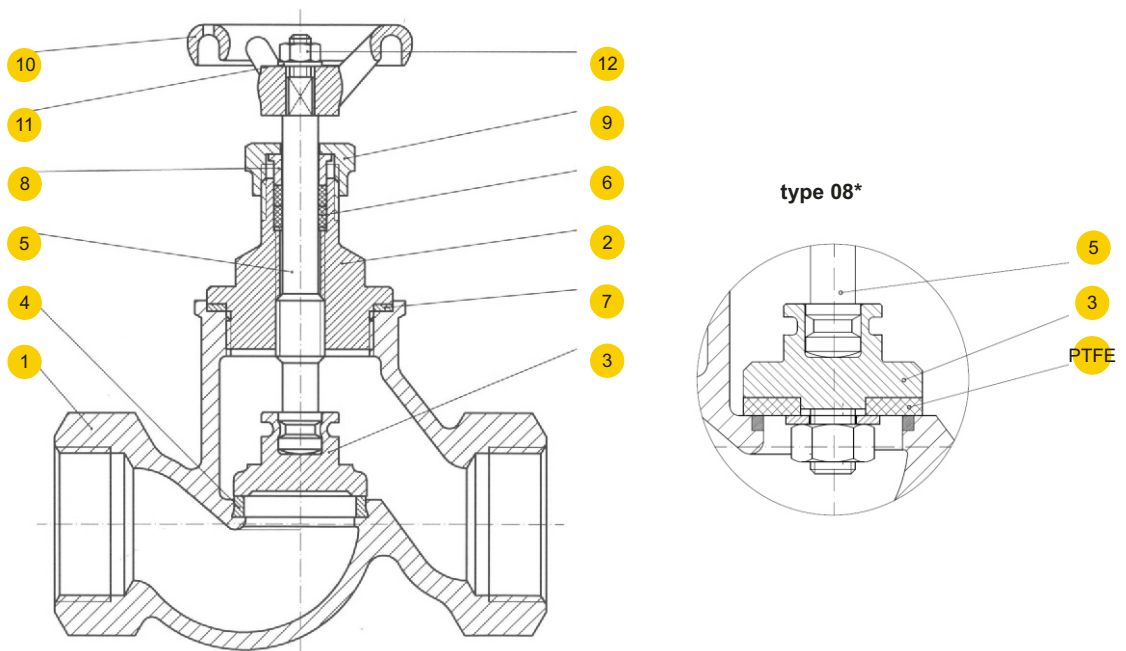
figure

201

ends
form

threaded
straight

MATERIALS



	body material	A
	type	00
1	body	EN- GJL- 250 JL 1040
2	bonnet	EN- GJL- 250 JL 1040
3	disc	X20Cr13 1.4021
4	seat ring	X12Cr13 1.4006
5	stem	X20Cr13 1.4021
6	gland packing	all graphite
7	gasket	carbamide - rubber
8	packing glad	carbon steel
9	nut	carbon steel
10	hand-wheel	EN- GJL- 250 JL 1040
11	washer	carbon steel + zinc galvanised
12	nut	carbon steel + zinc galvanised
	max. temperature	200°C

* on request max. temperature 120°C

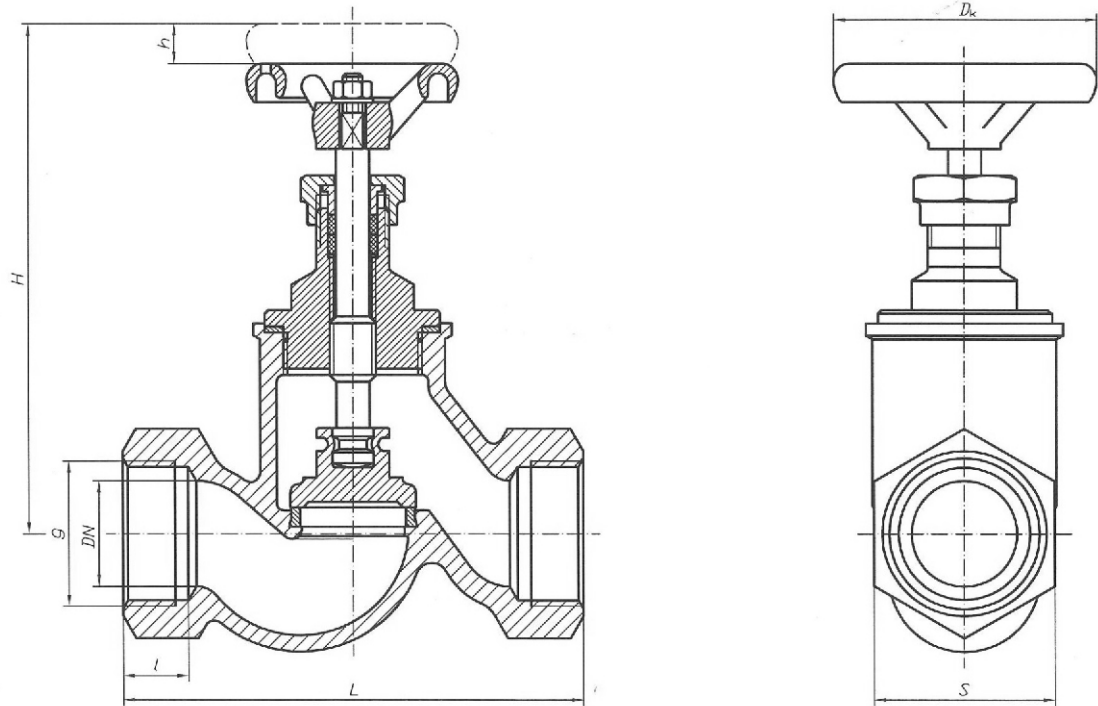
Data given can be changed without notice.


Edition 11/2010



figure

201

ends
formthreaded
straight**DIMENSIONS**

DN	g	l	H	L	Dk	h	
mm	mm						kg
10	G 3/8	12	112	85	64	7	0,7
15	G 1/2	14	118	90	64	9	0,9
20	G 3/4	16	118	100	64	9	1,0
25	G 1	18	138	120	80	9	1,5
32	G 1 1/4	20	165	140	80	13	2,1
40	G 1 1/2	22	185	170	100	18	3,2
50	G 2	24	198	200	100	20	4,3

Data given can be changed without notice.

Edition 11/2010



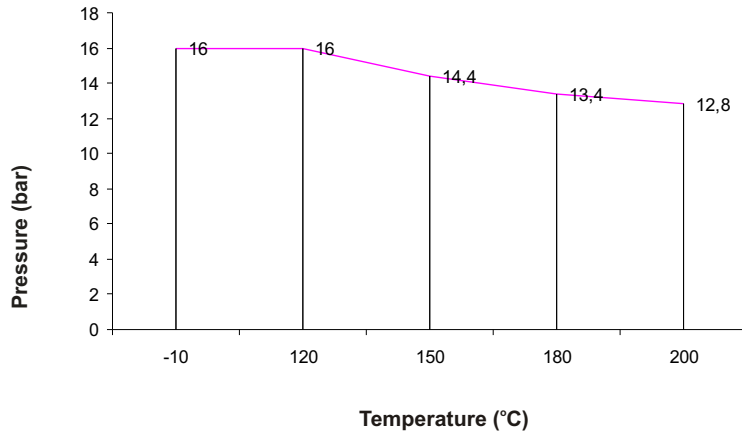
figure

201

ends
form

threaded
straight

PRESSURE-TEMPERATURE RATINGS

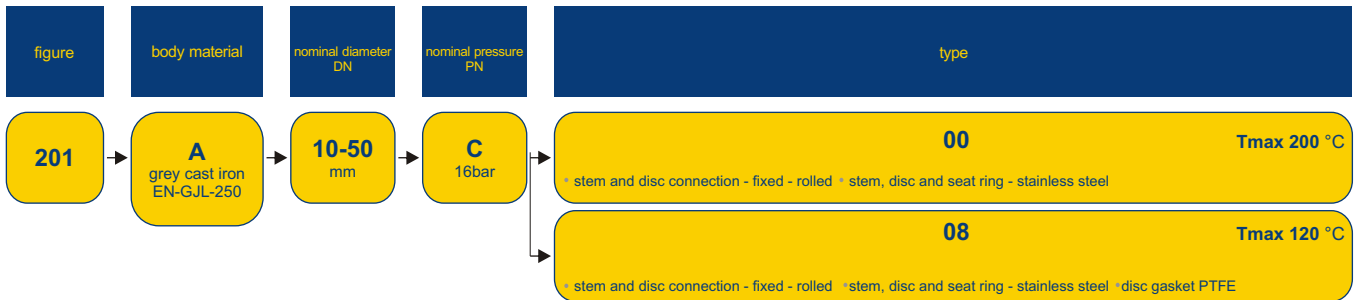


Allowed working conditions range
PN 16 EN-GJL-250



figure	201
ends form	threaded straight

TYPES



ORDERING

To place an order please use our product number (index)



ORDER EXAMPLE

